

Conservatory Awning

Smart electric drive
Matching glass room

Sun&Rain protection
10 years color fastness



Outdoor Shading Ecological Pavilion



Sun Protection



Electric Drive



Rain & Windproof



100% Solution-dyed acrylic



Size Customization

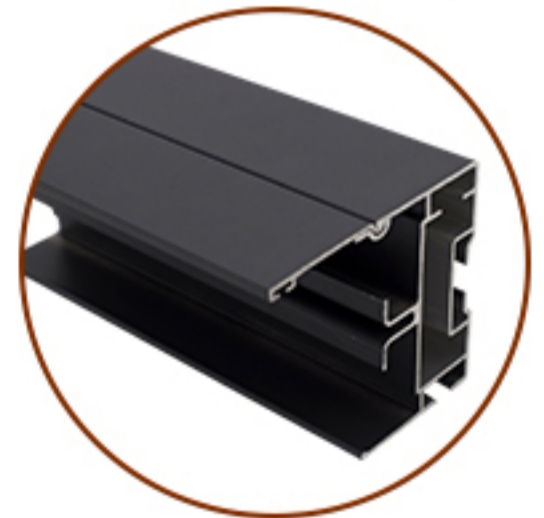
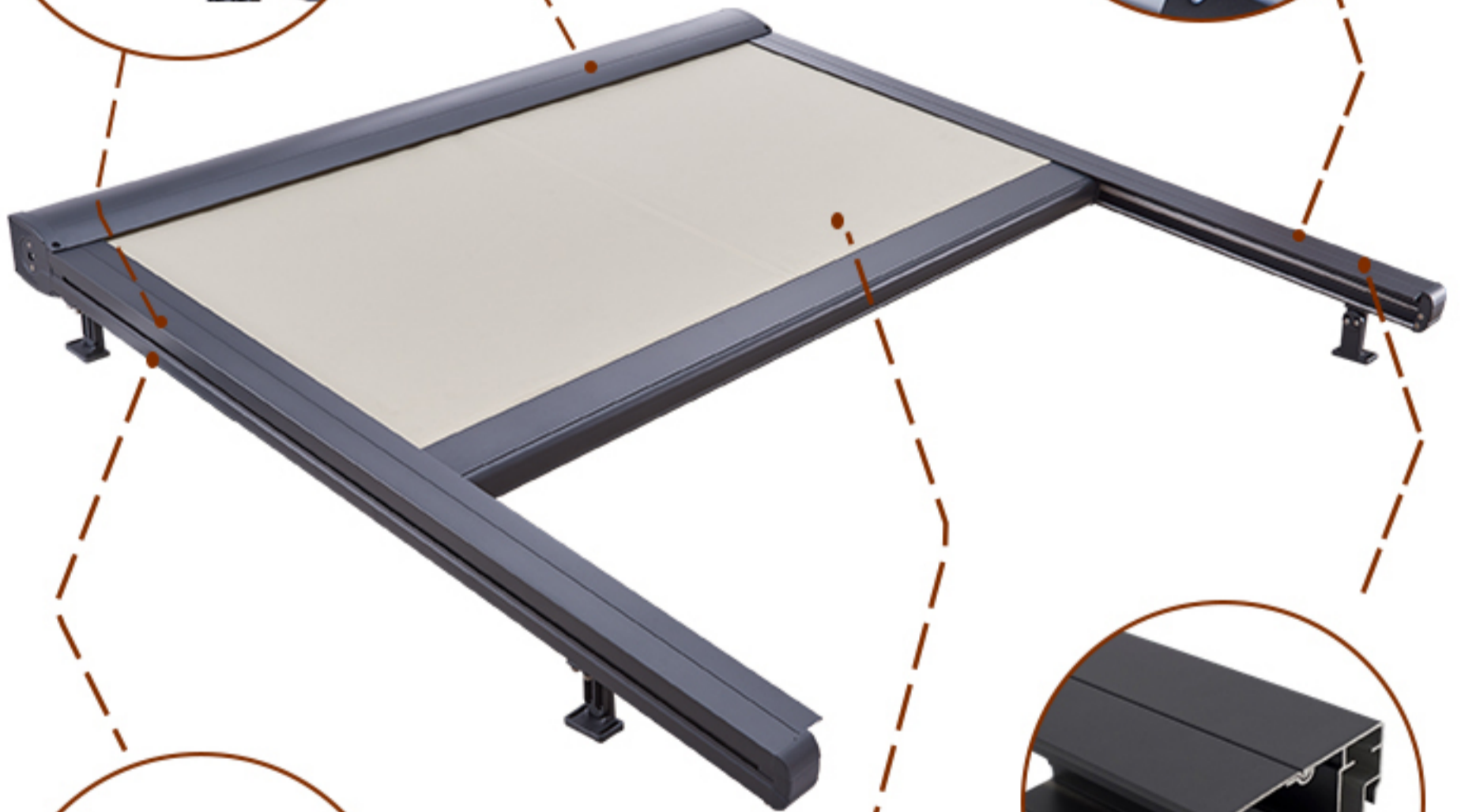
Dooya Silent motor
Intelligent remote control system



Smooth pulley
Smooth and durable



Flat side
Facilitate seamless assembly of multiple sets



6063-T5 Aluminum alloy
High hardness, light weight, No deformation

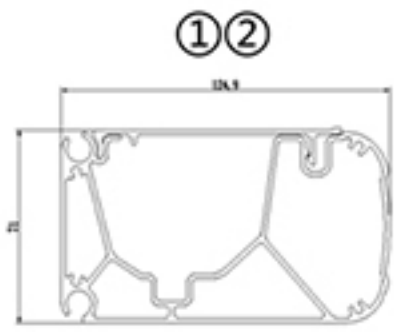
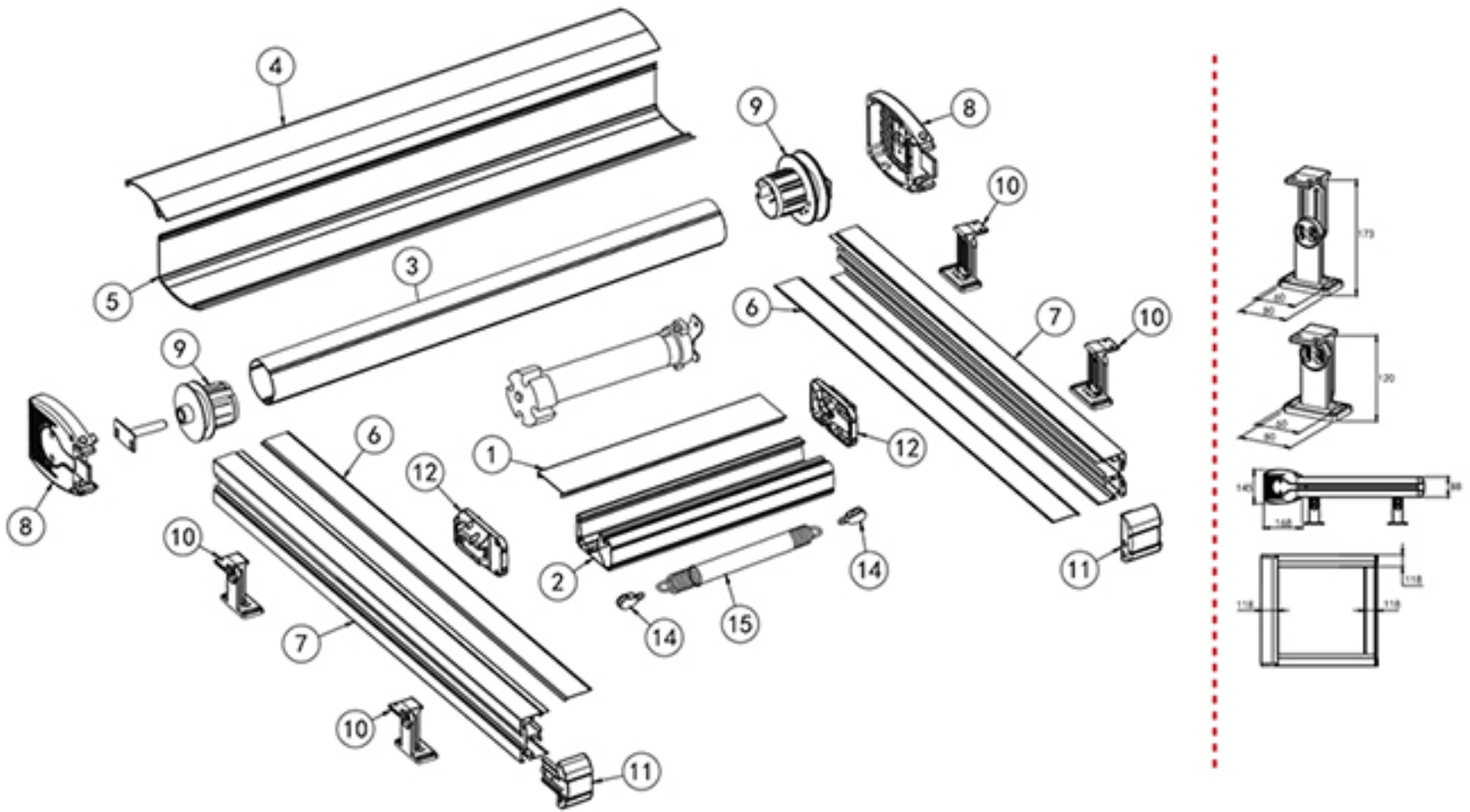
Aluminum without splicing
Ensure smooth slide



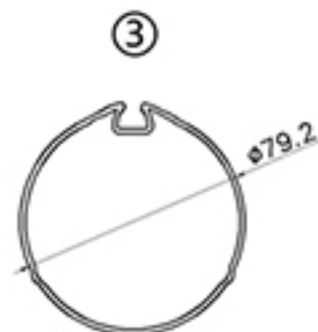
100% solid solution acrylic
Color fastness up to 8 years



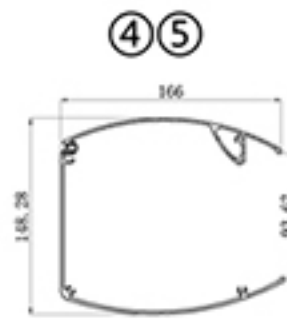
Material details



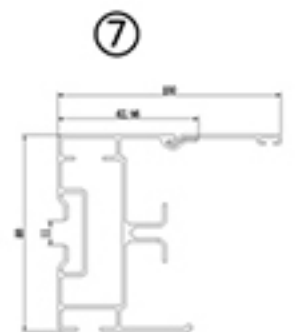
Front bar box size
101.2*71mm
Aluminum thickness 2mm



Cloth tube size
Φ80mm
Aluminum thickness 2mm



Back cover size
166*148.28mm
Aluminum thickness 2mm



Guide size
100*88mm
Aluminum thickness 1.5mm

CONSERVATORY AWNING SPECIFICATIONS

Roller Tube Diameter	Φ80mm	Guide size	100x88mm
Front bar box size	101.2x71mm	Single maximum size	Width Max 6m, Extension 5m
Back cover size	166x148mm		

6063-T5 Aluminum Alloy

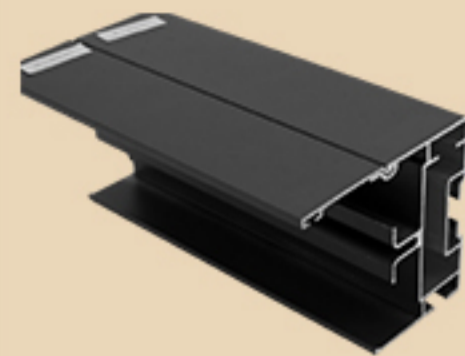
High hardness, light weight, No deformation



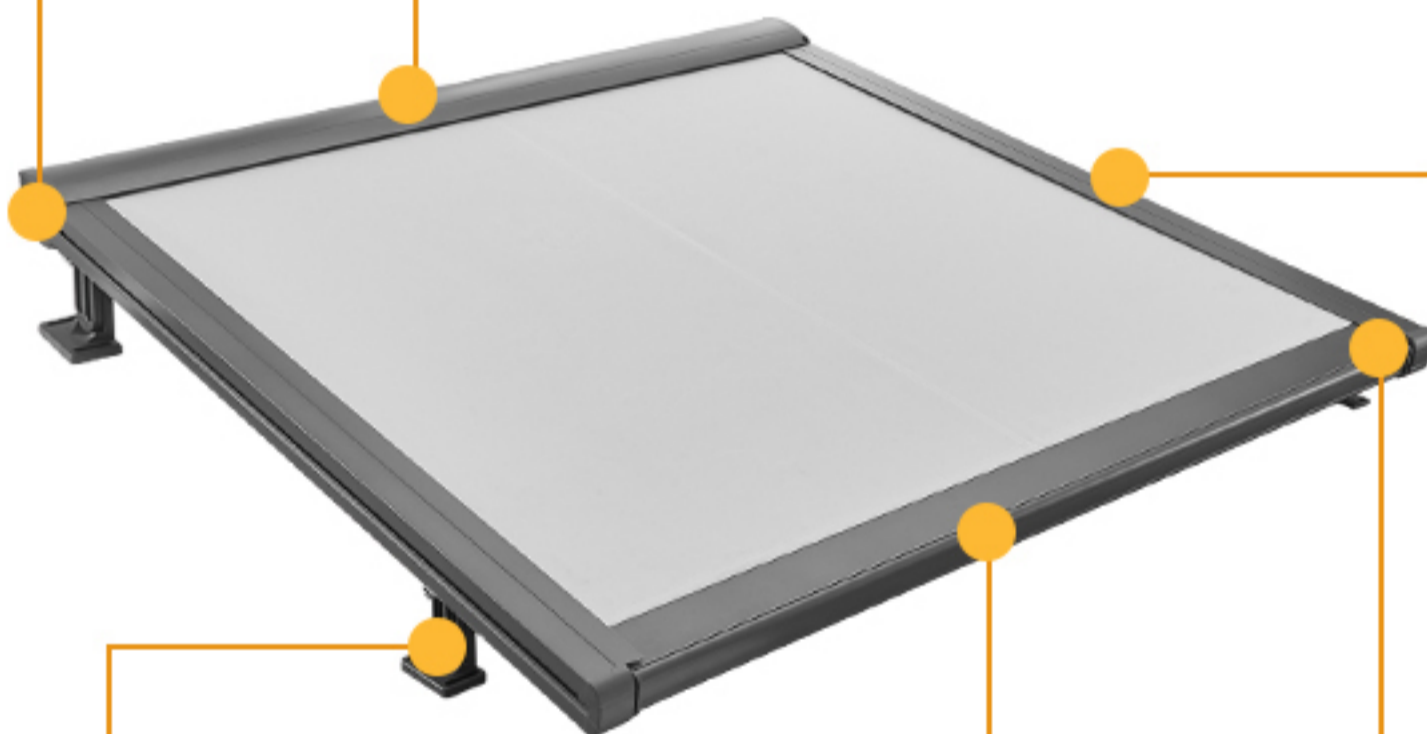
Cloth tube



Box back cover



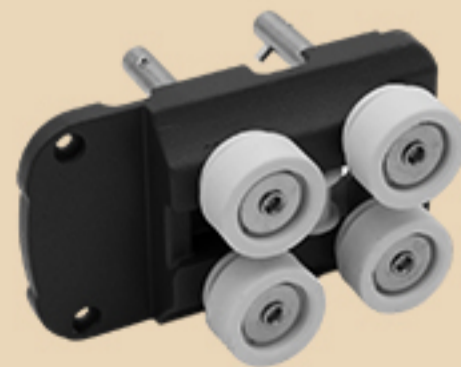
Guide



Support base



Front bar box



Pulley

Application Cases





Restaurant



Conservatory



Coffee shop

Installation scene



Fabric color card

Smasocril® SINCE 1987



Smasocril® SINCE 1987



Limited layout, only partial color display

100% solution dyed acrylic Spanish fabric



ACRYLIC vs POLIESTER

SAULEDA FABRICS
100% Solution-Dyed acrylic



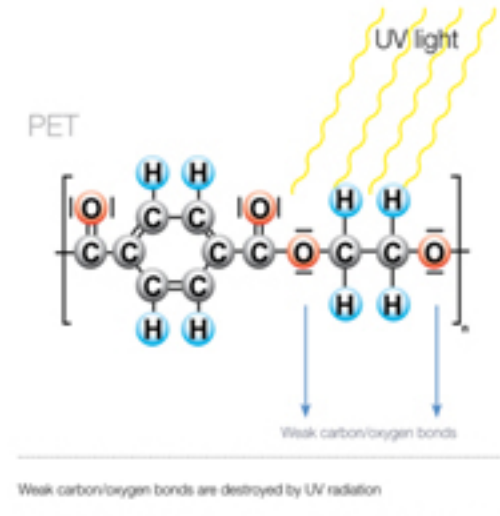
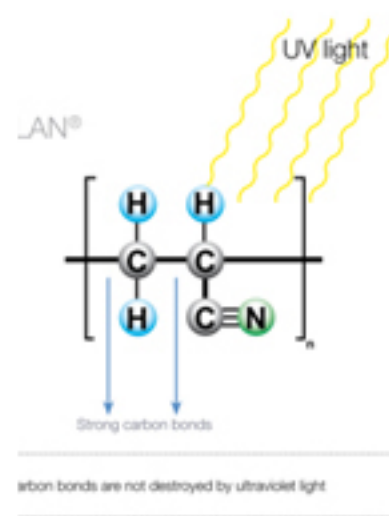
Colorfastness that is inherent in the fiber so it will not fade.



OTHER FABRICS
Dyed on thread



Color only on the top layer.



Performance

