

# Bioclimatic Pergola

Manual and Electric  
Install LED light strip

Sun&rain protection  
Customizable size



## Outdoor Shading Ecological Pavilion



Sun Protection



Manual & Electric



Rain & Windproof

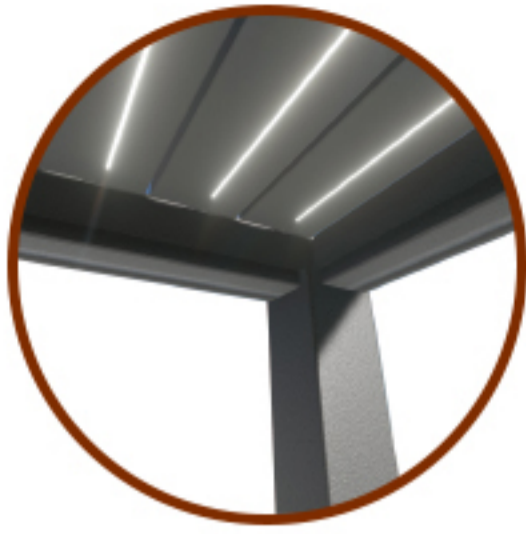


Aluminum Alloy

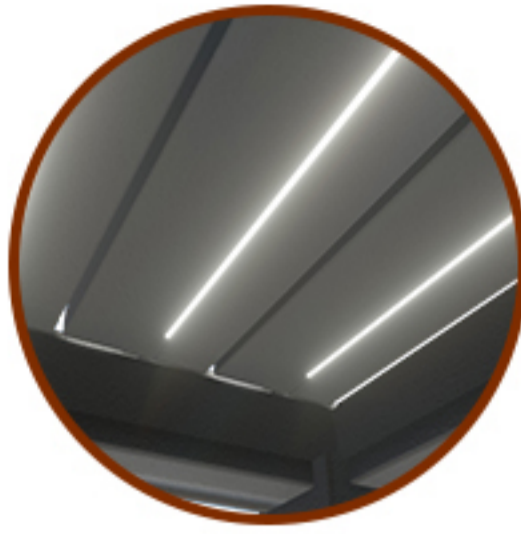


Size Customization

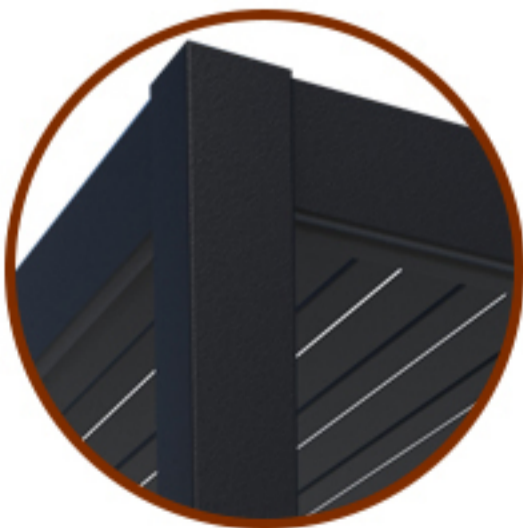
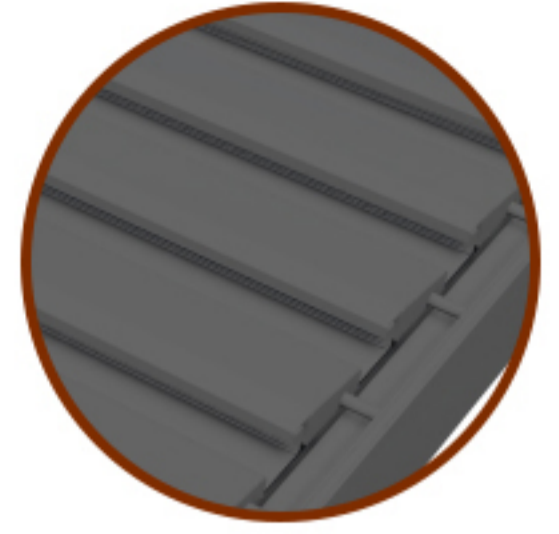
Blade can add LED strips



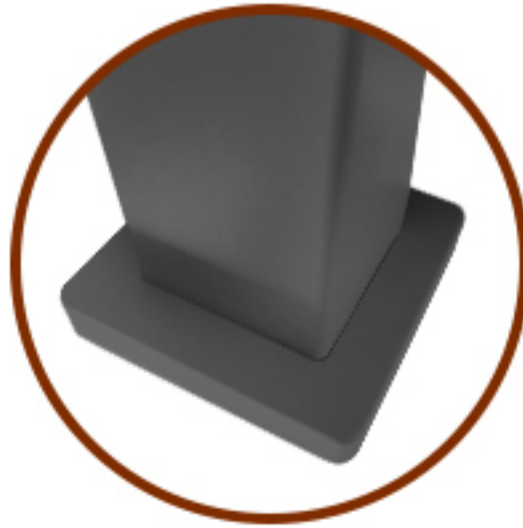
Close tightly



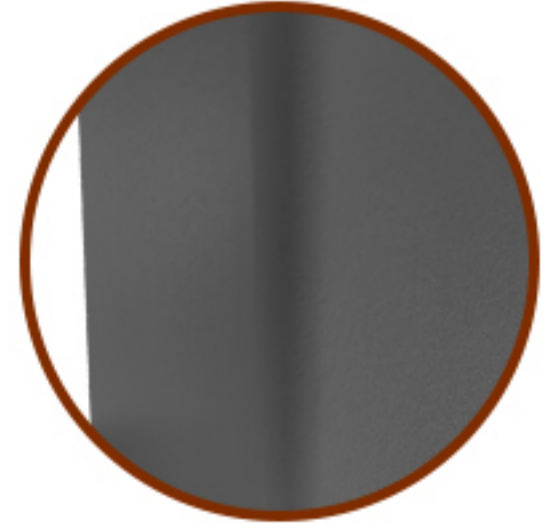
Drainage desian



High-quality aluminum



Stable column



Column fillet design

# CHOOSE WHAT YOU NEED



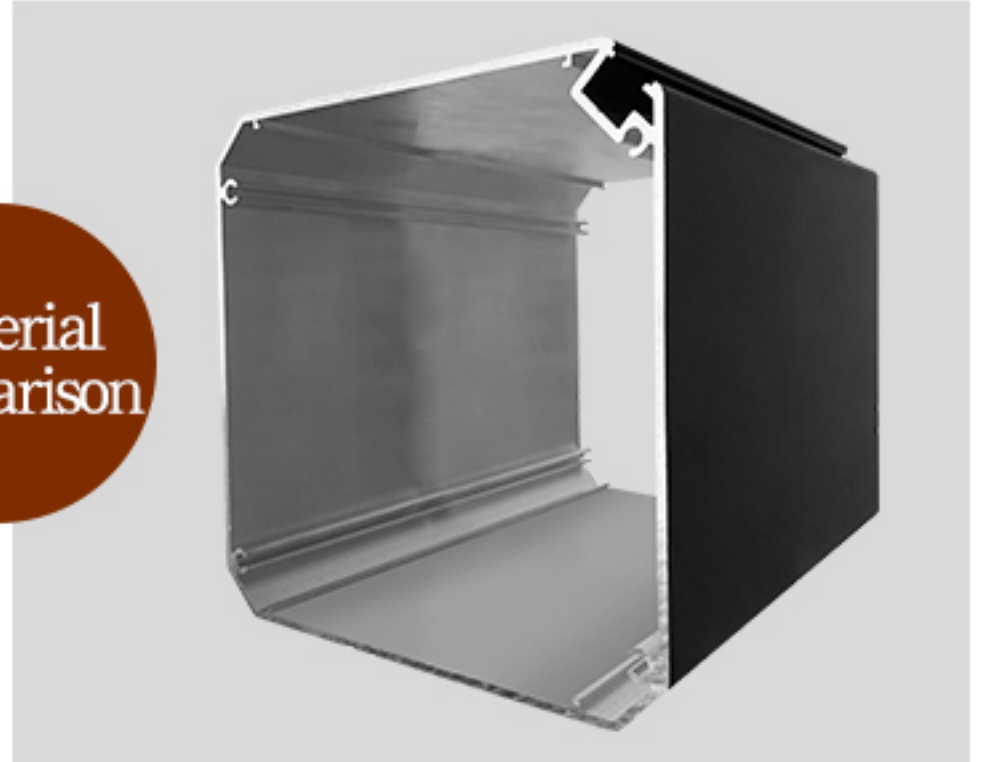
Light bioclimatic pergola



Heavy bioclimatic pergola



Material  
comparison

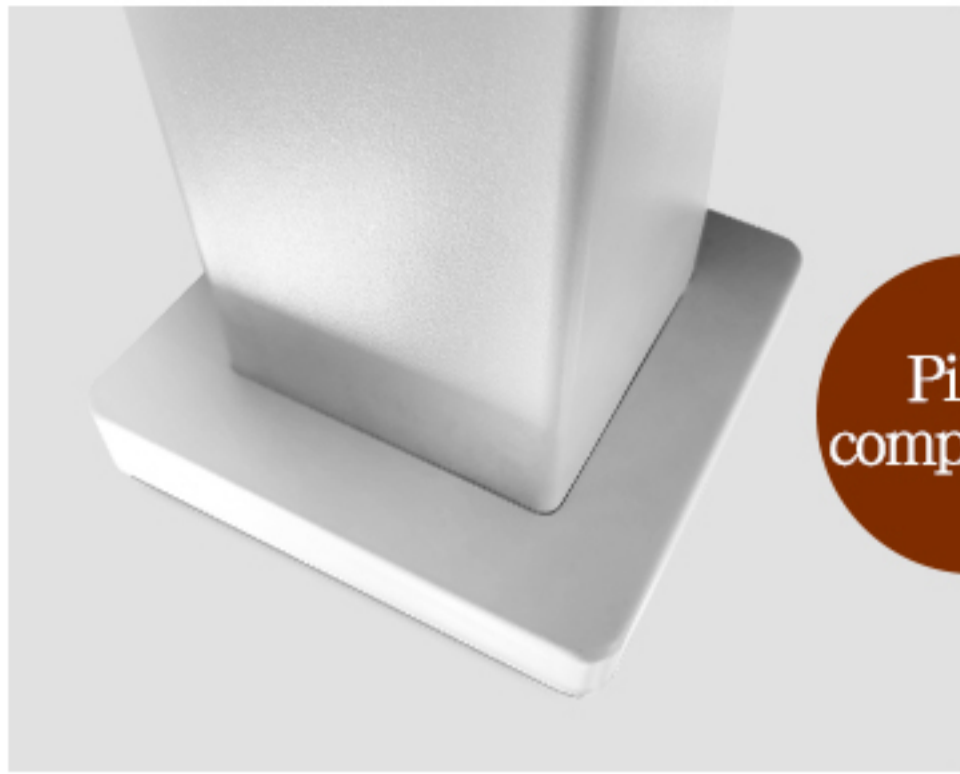


## Scientifically stable structure

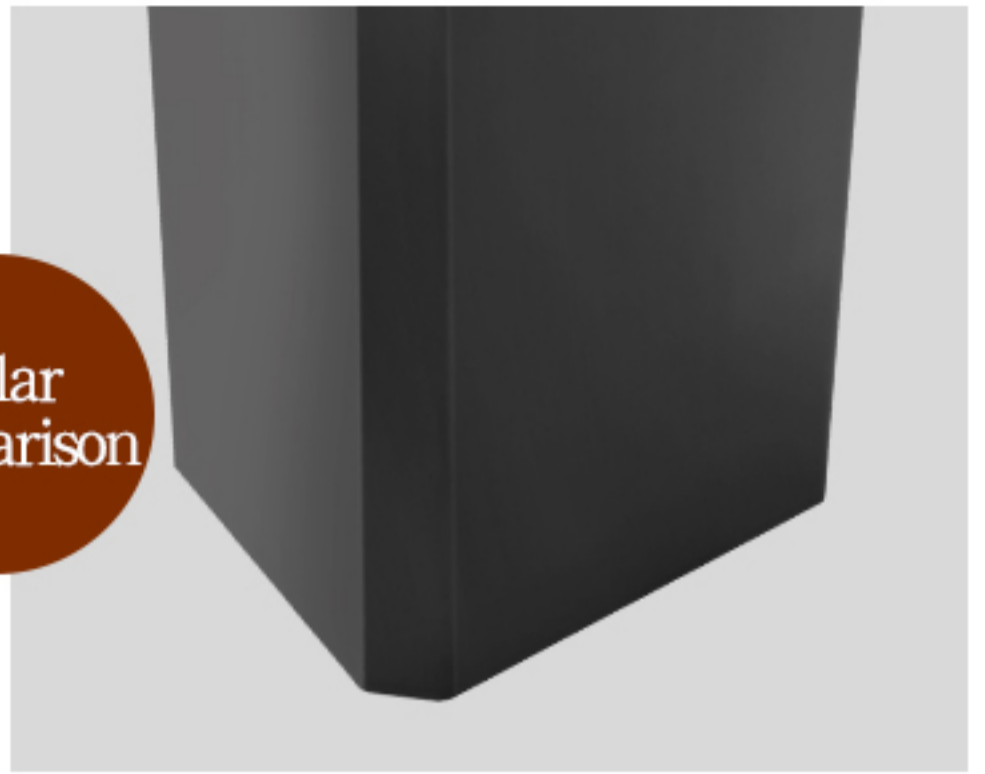
1.5mm thickness material and multiple strengthening ribs, Strong and stable, durable and not deformed

## Increased thickness

2.7mm thickness material strong wind resistance, Adjustable accessories fixed to different ground more inclusive



Pillar  
comparison



### High quality Pillar

120mm thickness Pillar,  
firm and more stable.  
Decorative chassis with hidden screws,  
beautiful and generous

### Upgrade widen Pillar

170mm thickness Pillar  
Upgraded and thickened,  
Enhance wind resistance,  
no fear of bad weather



Remote  
control  
comparison



### Manual / Remote control

Optional electric or manual mode  
Adjust the sunshade angle  
from 0°-135°

### Remote control

Electric mode adjusts  
0°-120° sunshade angle  
Open outdoor leisure mode  
at any time



Lighting  
comparison



### Blade Embedded LED Light Strip

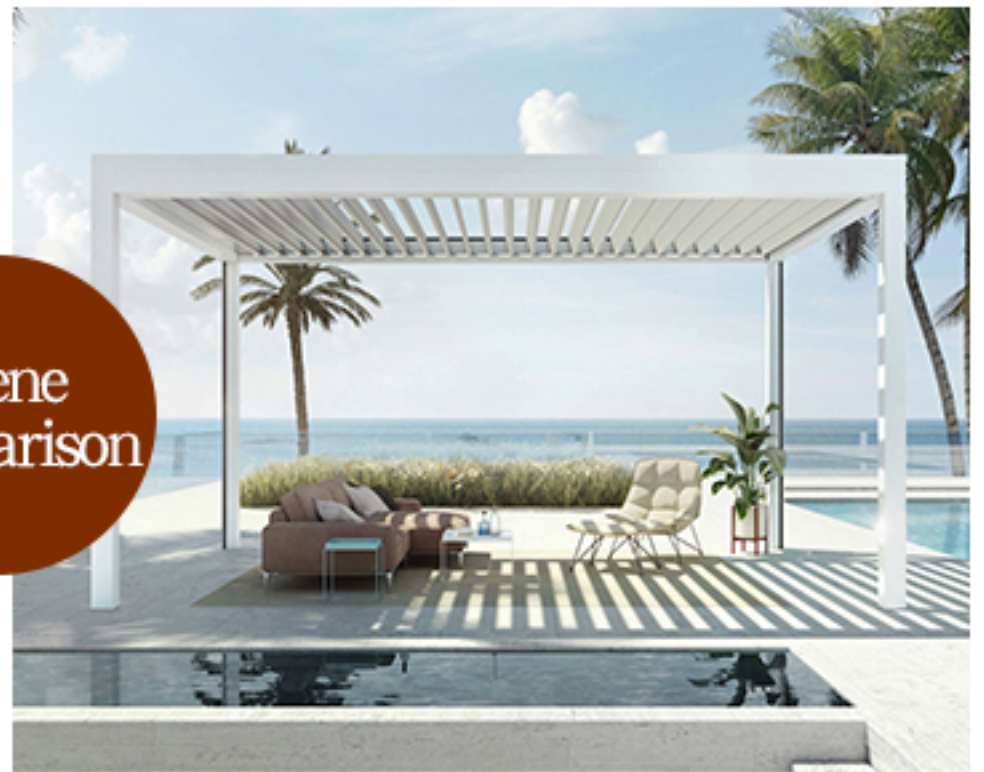
The blade LED lights strip makes  
Enhance outdoor atmosphere  
Watch the stars and moon,  
enjoy the night sky quietly.

### LED light strips on four sides

LED lights all around glow evenly,  
Friends get together and chat,  
Light up the night.



Scene  
comparison



### B&B / Outdoor courtyard

Suitable for Special B&B  
and commercial plazas.  
Outdoor small courtyard,  
high cost performance.

### Outdoor Garden Resort

Suitable for large outdoor garden  
Commercial holiday Star Hotel

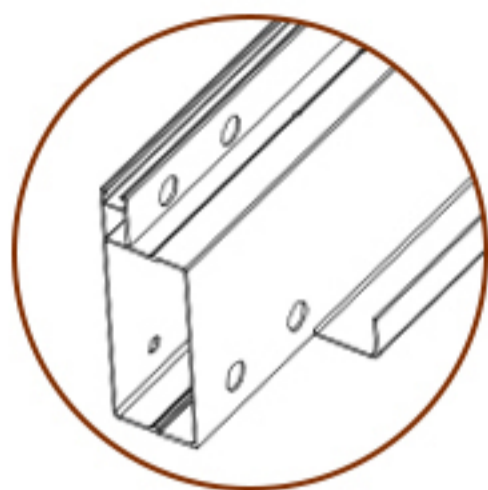
[ **Heavy bioclimatic pergola** ] [click here](#)



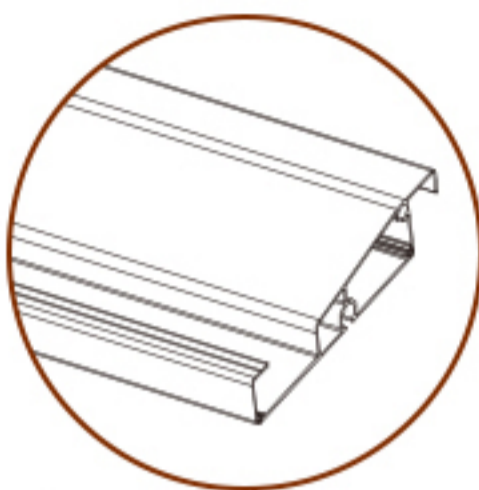
# Material details

## Material Specifications

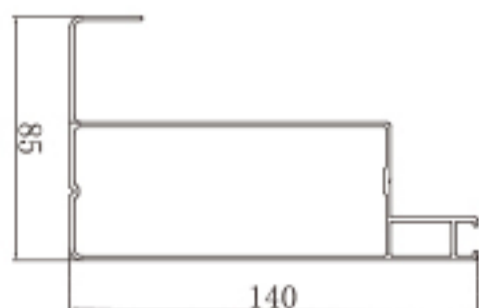
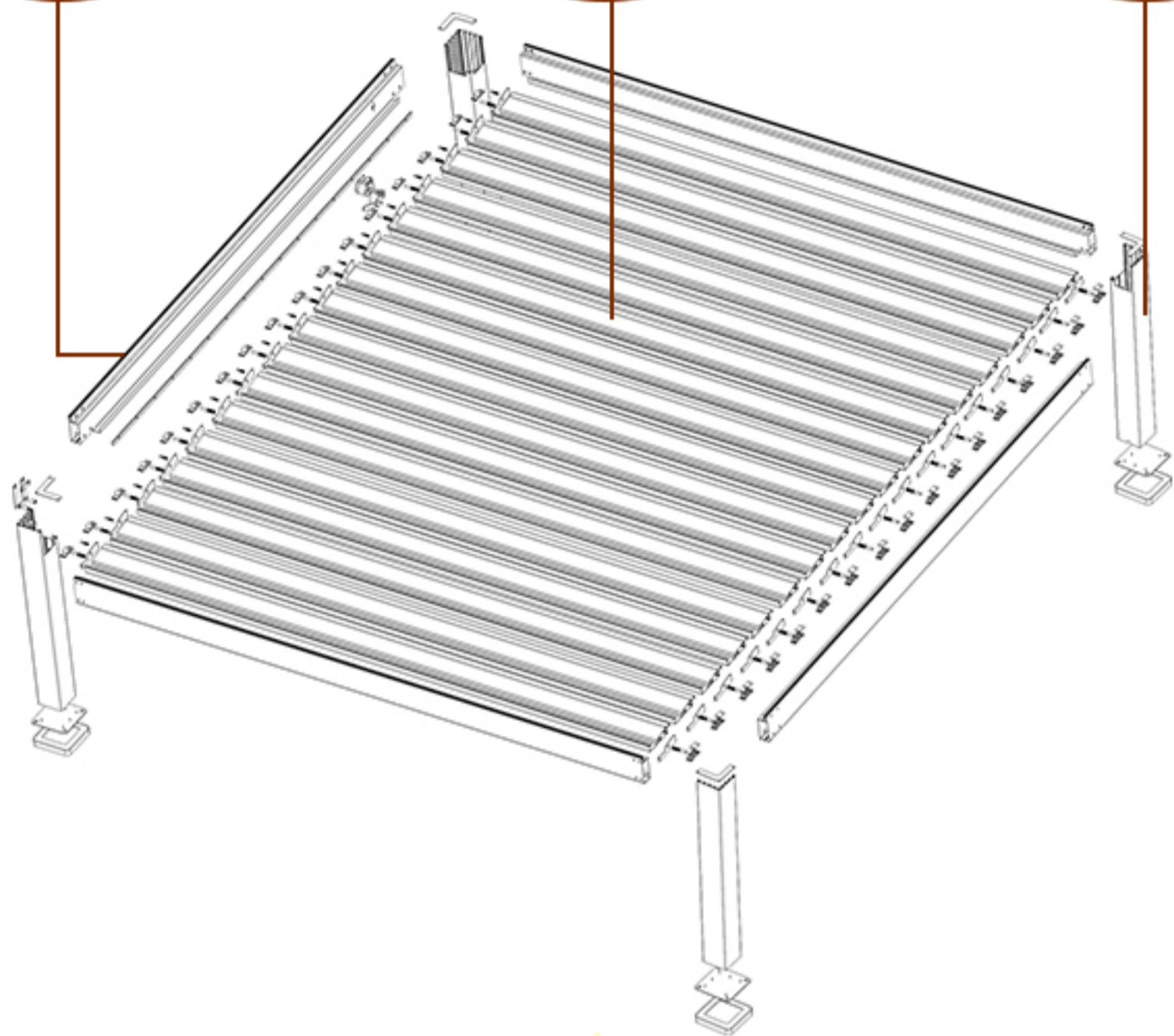
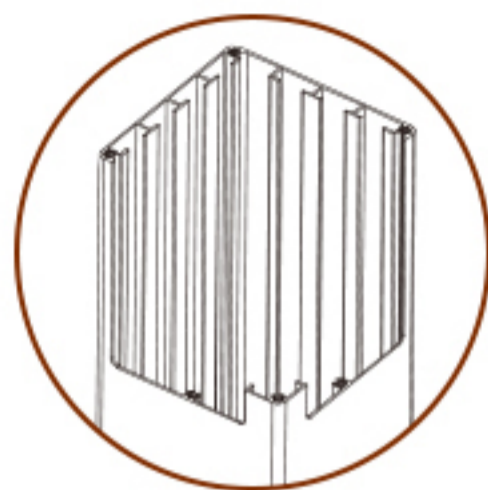
1 Edge beam



2 Blades



3 Pillar



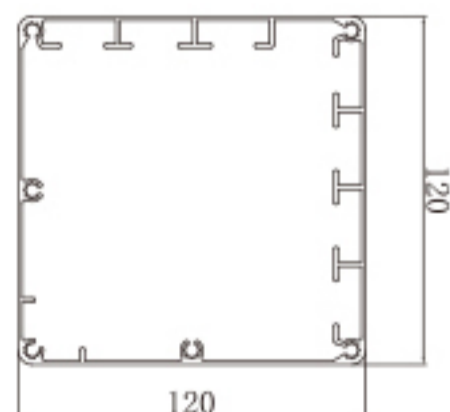
1

Edge beam size  
140\*85mm  
Aluminum thickness 1.5mm



2

Blades size  
168\*35mm  
Aluminum thickness 1.5mm

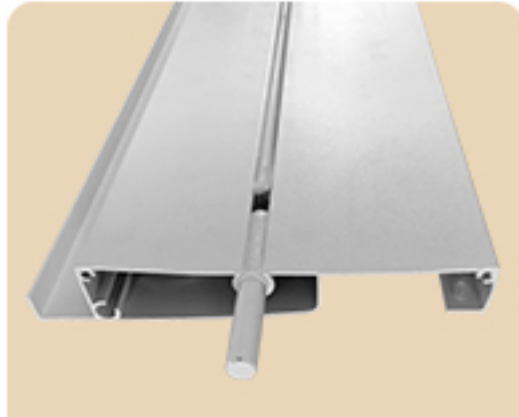


3

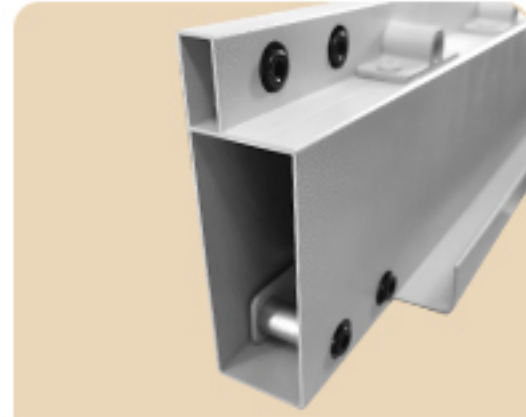
Pillar size  
120\*120mm  
Aluminum thickness 1.5mm

# 6063-T5 Aluminum Alloy

High hardness, light weight, No deformation



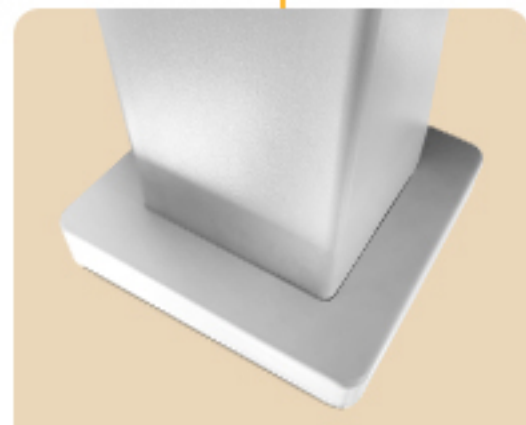
**Blade**



**Edge beam**



**Pillar**

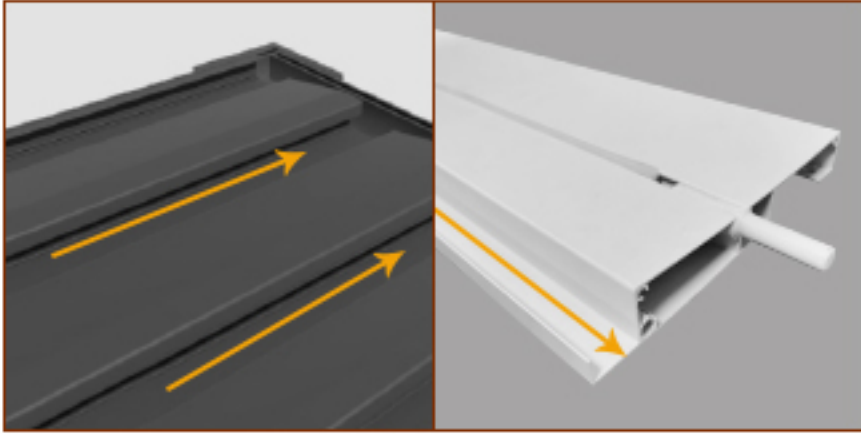


**Pillar base**

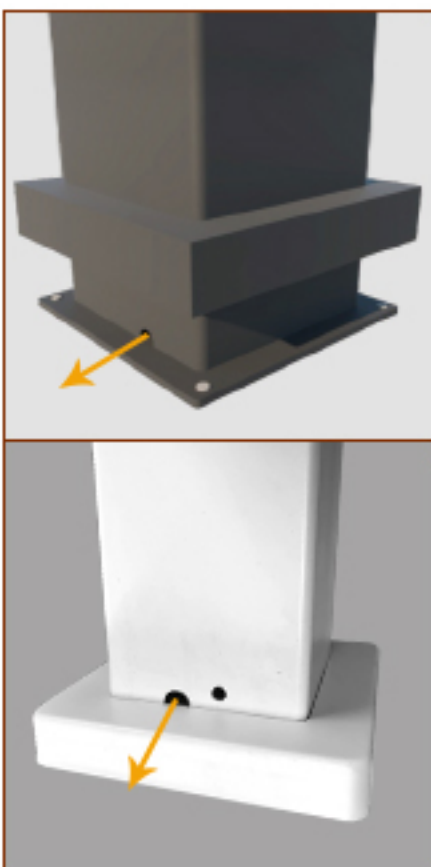
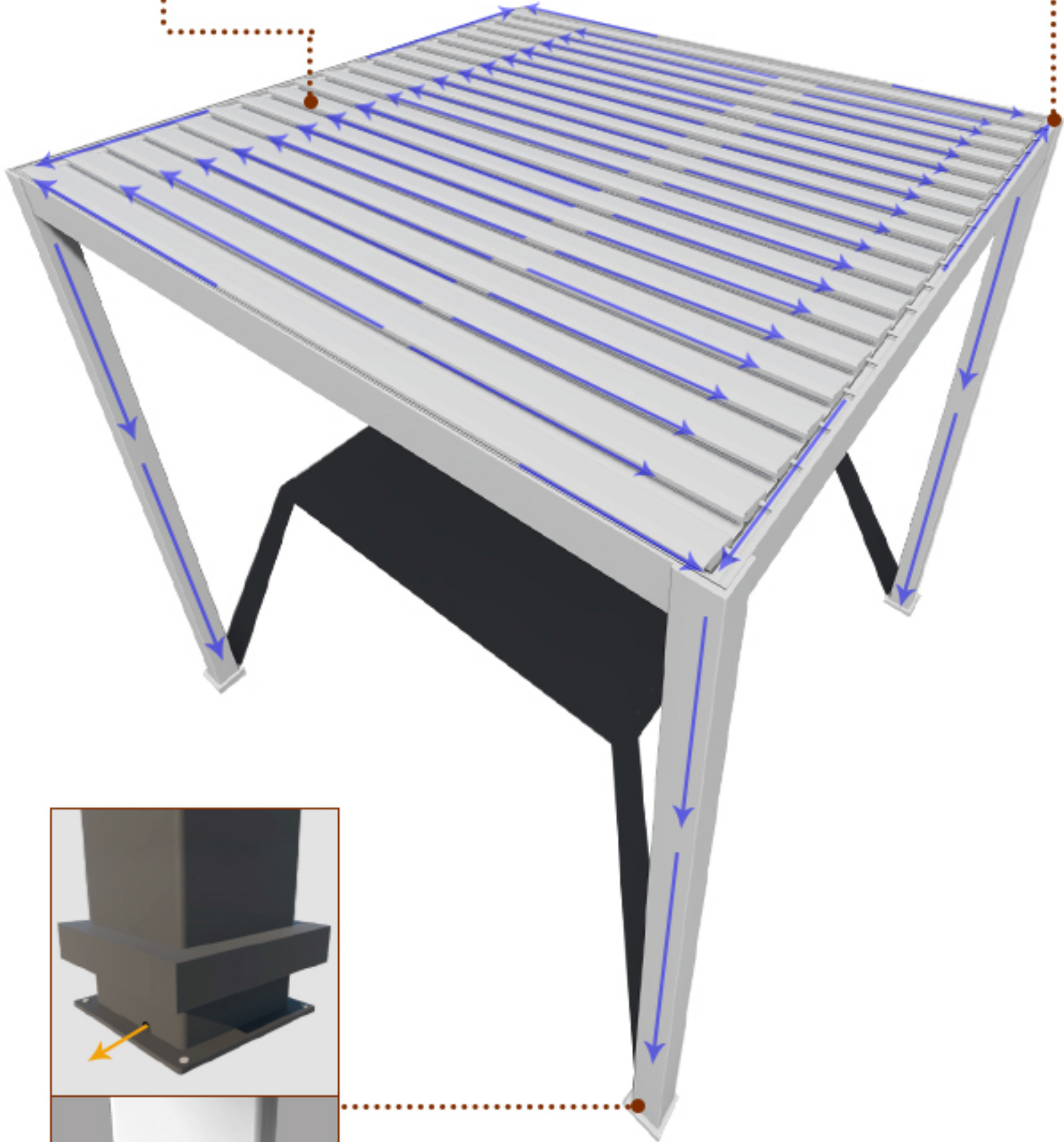
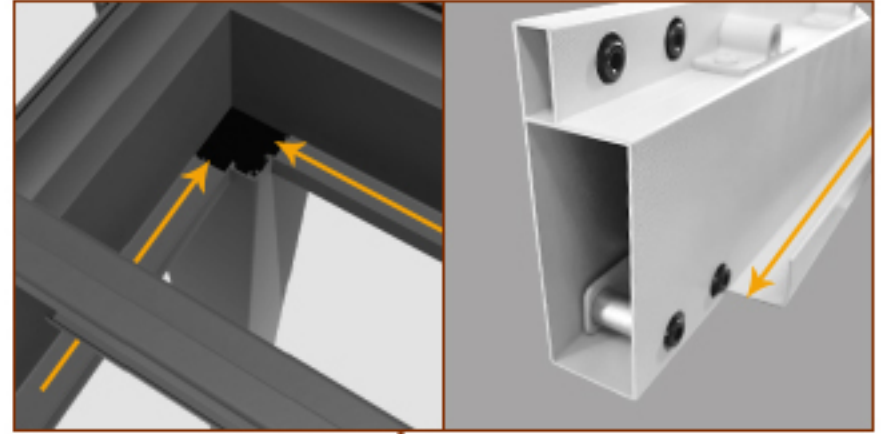


# Drainage method

**1** Rain water will flow down the grooves of the louvers to the sink



**2** The rainwater in the sink will flow into the hollow pillar

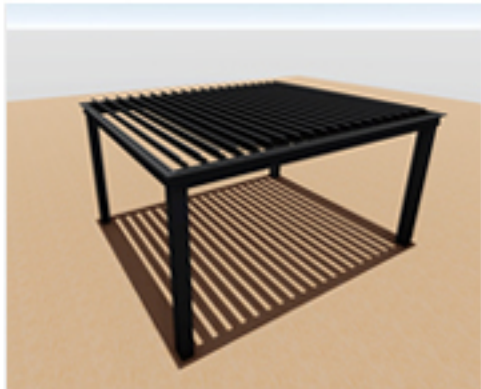


**3** There is a drain at the bottom of the pillar, Rainwater drained outdoors.

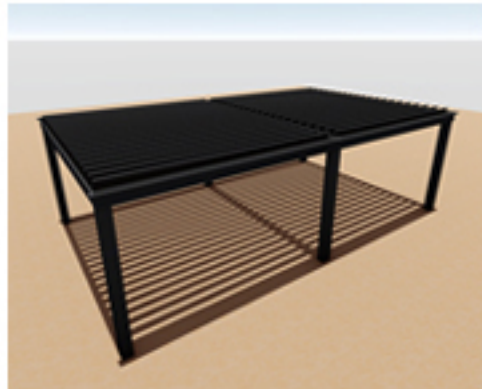
# Application Cases



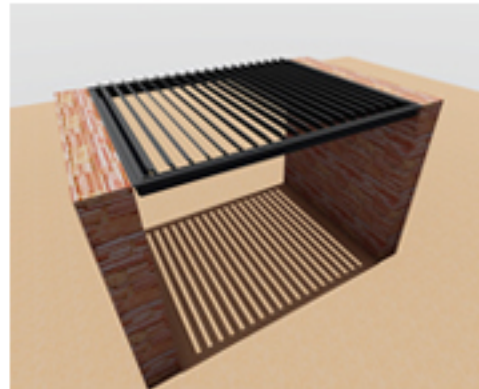
# Installation method



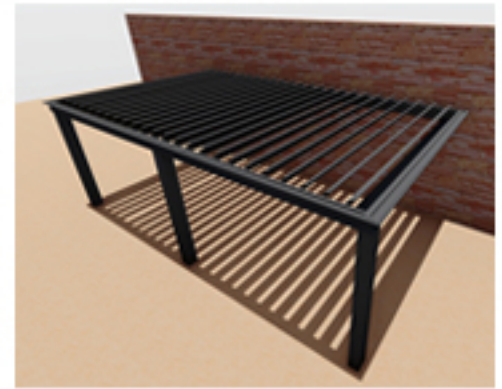
Type 1



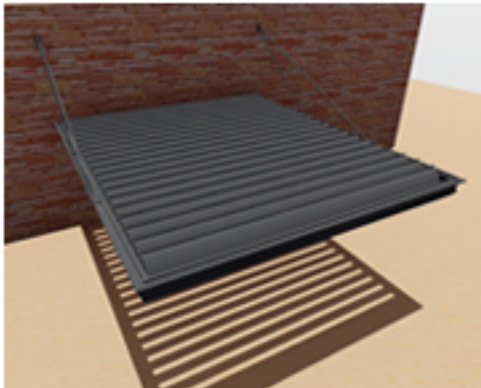
Type 2



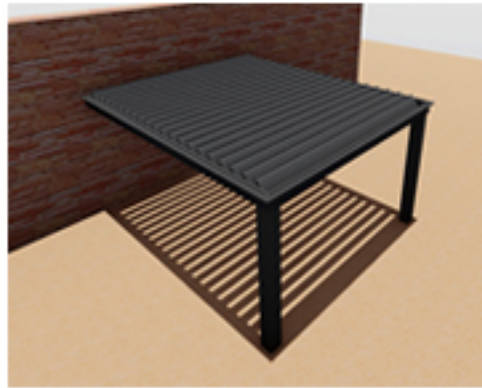
Type 3



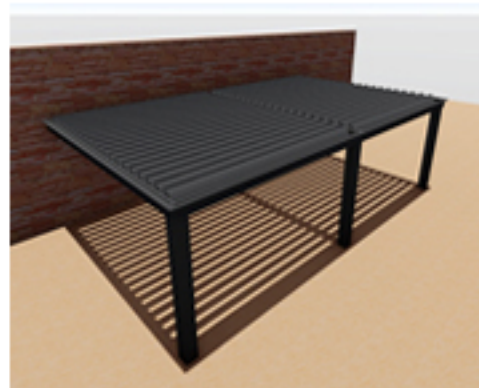
Type 4



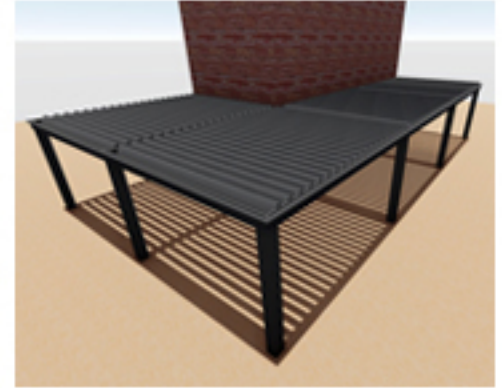
Type 5



Type 6



Type 7



Type 4

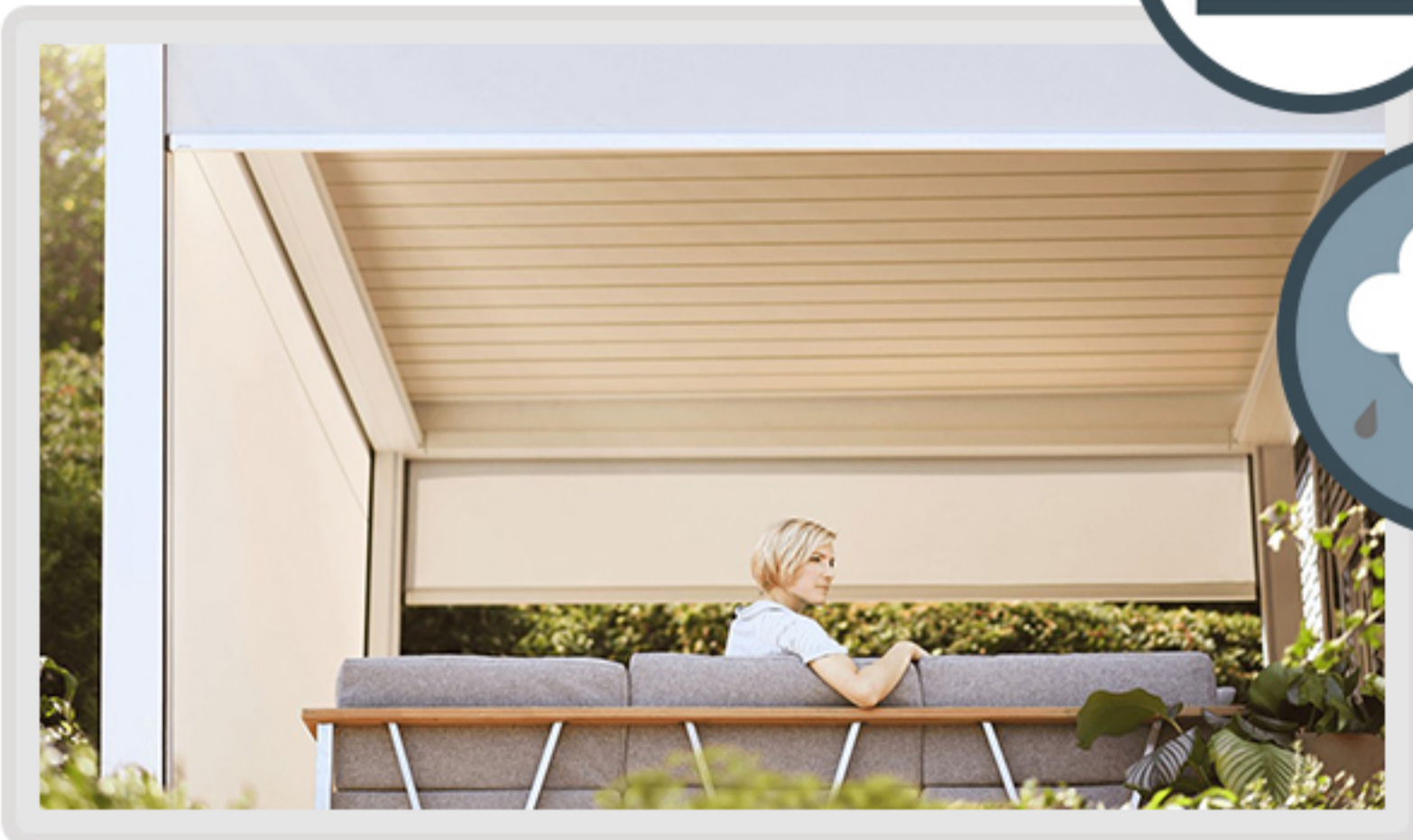
contact customer service for other installation methods



**Adjustable blade angle according to light and wind direction**



**Close the blades 100% waterproof and block the sunlight**





**Install wind-proof roller blinds to protect your privacy**



**Equipped with light strips can have the atmosphere and light**



# Installation scene

