

2023

A new generation of outdoor space solutions



FOLDING PVC PERGOLA PRODUCT ATLAS

FOLDING PVC PERGOLA

Redefine the outdoor leisure space

Folding canopy is a new outdoor space expansion scheme. Special curtain through the motor drive belt movement in the aluminum alloy track, so as to achieve the opening and closing of the curtain, so that users freely enjoy the fun of outdoor space, while providing the function of shading and rain, replacing the traditional fixed ceiling awning and sun room, redefine the solution of outdoor space.



Garden Essentials

Color	Black grey/white, special customizable	Cross bar interval	450-500mm
Material	6063, aluminum alloy	Lamp strip	Silicone waterproof, 3000k brightness LED
Dimension	The maximum width of a single set is 5 meters, 7 meters out	Rain protection	Complete rain protection
Surface	High density powder coating, anodized	Windproof	Maximum resistance to Force 7 wind, 50-62km/h
Motor	Import, domestic optional, two years warranty	Cloth	Heavy PVC, imported domestic optional



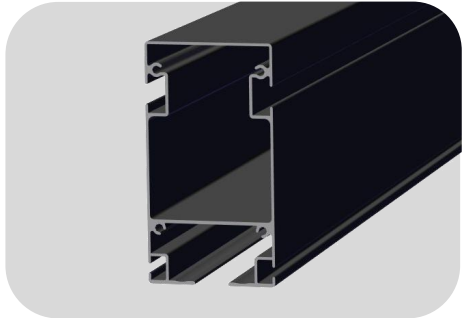
Electric control Remote control

The use of the industry's well-known high-performance silent tubular motor to control the opening and closing of the sky curtain, multi-channel wireless remote control with one button control, a switch can control multiple modules, can cooperate to control the lamp belt and supporting windproof curtain.

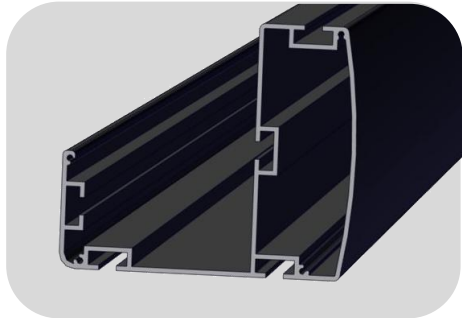


Alloy structural Functional fabric

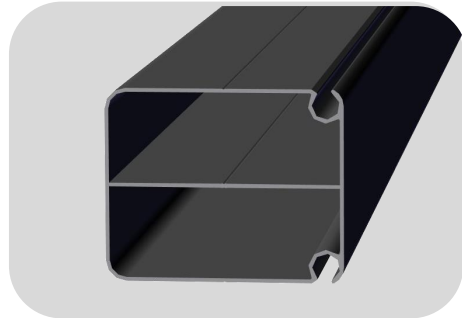
Canopy frame structure is made of high quality aluminum alloy, durable corrosion resistance, no rust; The key curtain fabric is made of heavy PVC design, 3D drill design anti-scratch anti-tear, surface with self-cleaning coating, anti-fouling and easy to clean.



Guide rail: 130x70x2.2mm



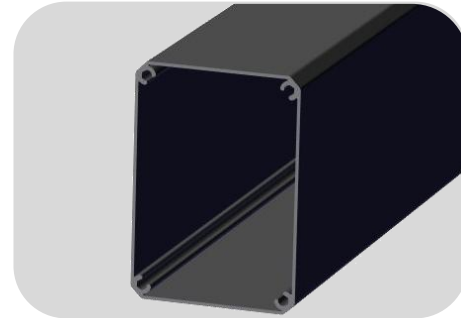
Water tank: 150x130x2.5mm



Large cloth rod: 80x65x1.3mm



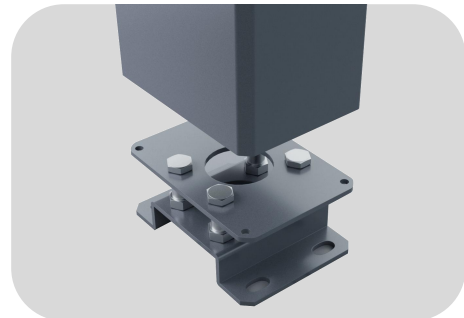
Small cloth rod: 39x65x1.3mm



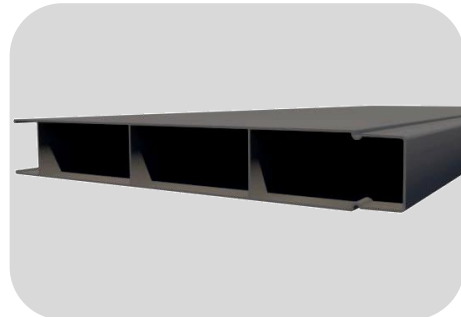
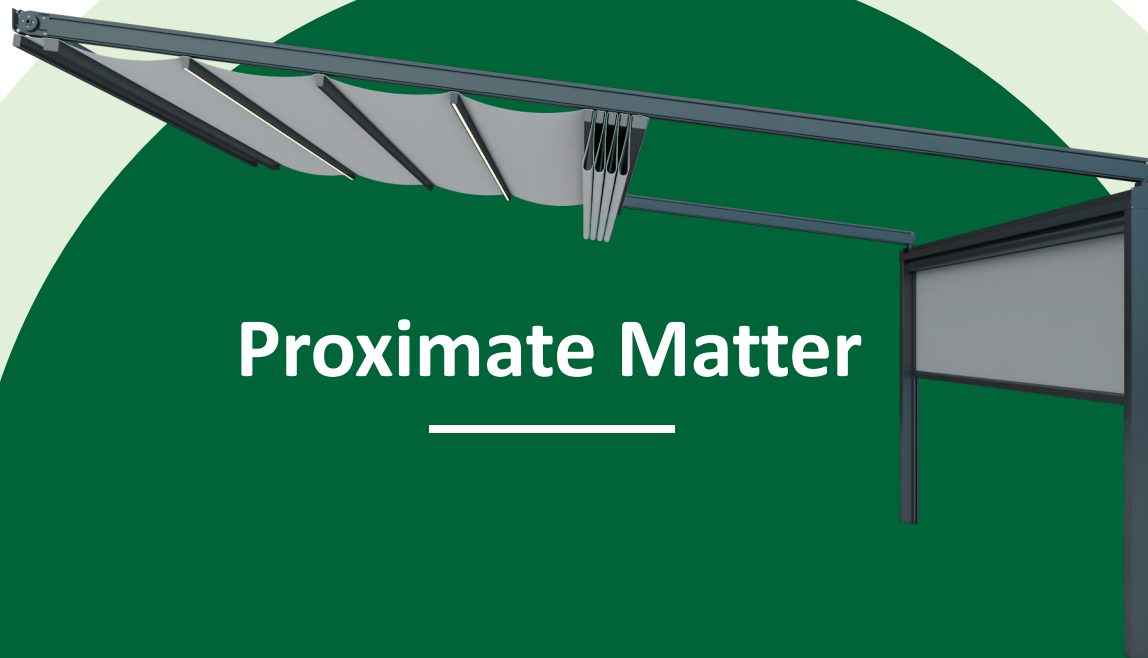
Column: 144x102x2.0mm



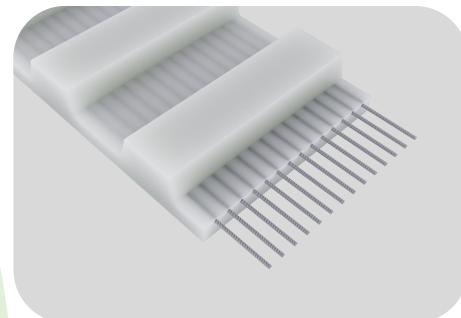
Light belt: 3000K brightness, silicone waterproof hose wrap



Base: double layer connection, more stable; Hidden design, the appearance is more concise and beautiful


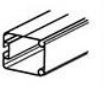


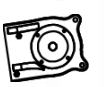





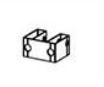








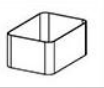



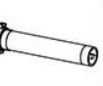


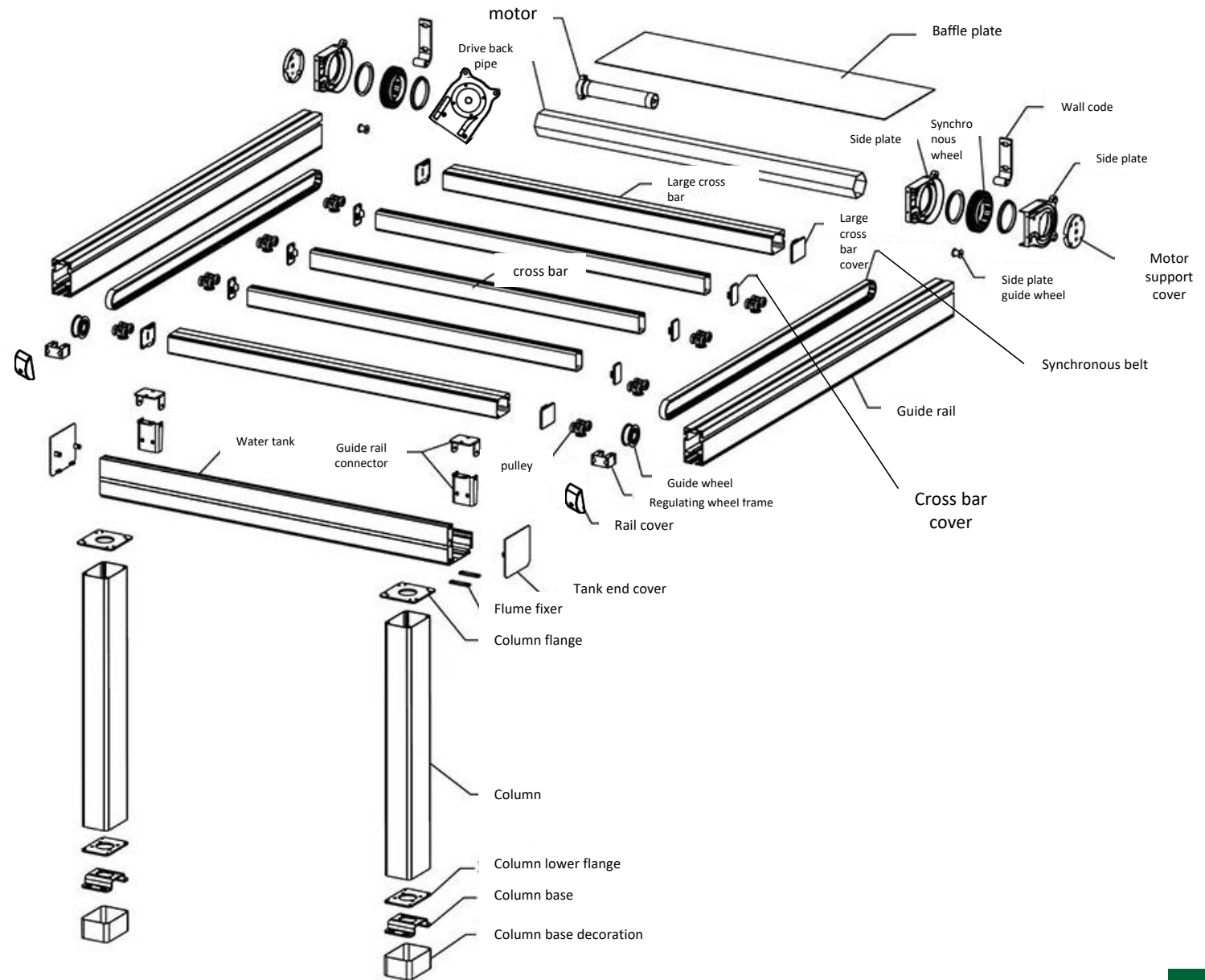
Baffle plate: 110x13x0.5mm



Synchronous belt: embedded 14 steel wire

Parts list and product parts drawing

	Drive back pipe		Large cross bar		cross bar
	Guide rail		Side plate		Synchronous wheel
	Wall code		Side plate guide wheel		Rail cover
	Guide wheel		Regulating wheel frame		pulley
	Large cross bar cover		Cross bar cover		Water tank
	Column		Column flange		Column lower flange
	Column base		Column base decoration		Tank end cover
	Guide rail connector		Synchronous belt		motor



Product Advantage

Aluminum alloy structure

The product structure is 6063 aluminum alloy material
Open molding, light weight
High strength, corrosion resistance, longer service life;
All structural profiles shall be widened and thickened
Exceeding most peer standards in the industry



Heavy PVC fabric

Fabric using heavy 850g/m²
3D drilled PVC fabric
Wear resistance, folding resistance, durable, puncture resistance, high tensile strength, no fear of hard objects impact
Double-sided with PEDF self-cleaning coating
Stains do not remain, rain wash automatic cleaning
High shading, heat insulation, waterproof and corrosion resistance, fabric flame retardant coefficient up to the European standard B1, in case of fire does not support combustion

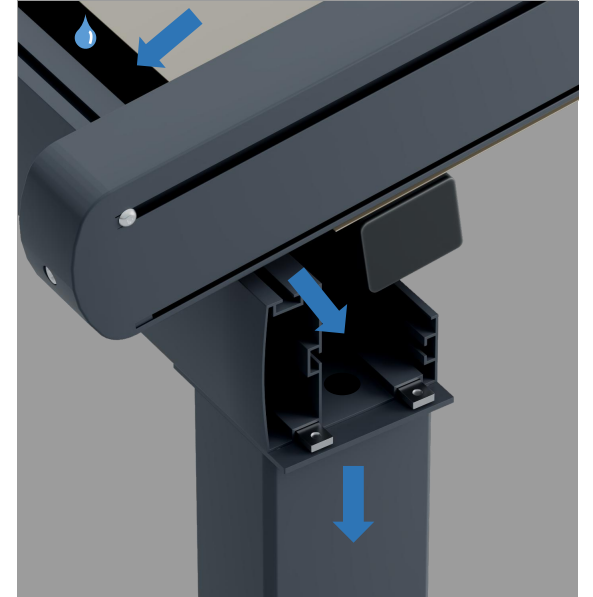
Powder spraying

The profile surface is all used Polycrystalline diamond composite sheet (PDC), plastic, resin mixed high density powder spraying, Make the material surface no corrosion, maintenance free, safe and environmental protection
Formaldehyde-free, acid-proof and alkali-proof for 20 years



Hidden drainage

The rain flowed through the curtain into the trough
There are rubber water retaining strips on both sides of the guide rail
Prevent rain from leaking from both sides
Rainwater flows through the trough into the column drain hole
Finally, it flows out from the bottom of the column



Product Advantage

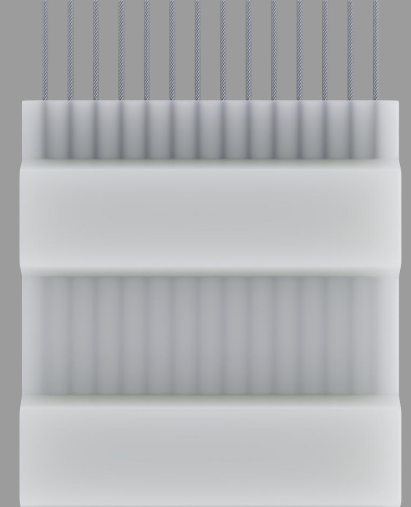
304 stainless steel

Hardware accessories and screws are selected 304 stainless steel
High strength, corrosion resistance, good performance
Durable and not easy to rust



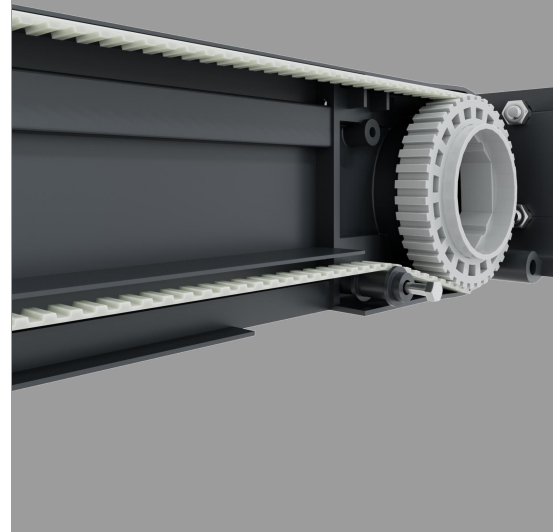
Reliable transmission structure

The transmission part uses custom high performance tubular motor
Drive the integrated forming transmission gear, the use of high strength synchronous belt and closed silent bearing to match the movement,
Smooth operation and low noise,
The transmission parts have good wear resistance and low friction coefficient
Corrosion resistance, oxidation resistance, long service life



Precision NC machining

All mechanical parts, profile opening processing are used
Aluminum alloy CNC machine precision machining
Precise size and easy assembly



High strength synchronous belt

The synchronous belt is embedded with polyurethane
14 high strength steel wires
Smooth transmission, cushioning and damping
Wear resistance and aging resistance, low noise and high intensity
The operating temperature range can reach -20°C-80°C

Product Advantage

Shade by day, light by night

The folding ceiling can be optionally equipped with a high brightness waterproof light belt, a flexible silicone wrapped light belt, waterproof and non electric leakage, and a 3000K high brightness energy-saving LED lamp, During the day, it can provide you with shade and rain protection, and at night, it can also provide you with light. You can enjoy outdoor leisure time anytime and anywhere.



Fabric Introduction

“Sauleda”

A century old European fabric family
a top sunshade fabric brand

The imported fabric is made of Sauleda fabric from Spain. Sauleda fabric is a top brand of sunshade fabric in Europe, specializing in supporting outdoor products such as high-end building outdoor sunshades. The technical indicators of Sauleda fabric have passed the European ISO quality standards and Oeko-Tex environmental certification, making it a high-quality choice for fabrics used in various outdoor sunshade products.

Parameter:

Material	AT1100dtex High tenacity polyester	Temperature resistance	-30-70°C
Tensile strength	Radial 270daN/5cm, latitudinal 230daN/5cm	Fire rating	M2
Thickness	0.64mm	Weight	830g/m ²

Available colors::



Tel: +34 93 339 71 50 Fax: +34 93 411 1
Email: sauleda@sauleda.com
www.sauleda.com

SAULEDA, S.A.
TRAVESERA DE LAS CORTS, 102
-08028 BARCELONA (SPAIN)

Cube

FICHA TÉCNICA TECHNICAL FEATURES	RESULTADOS RESULTS	ENSAYO ESSAY
ANCHO WIDTH	250 - 300 cm	
TEJIDO FABRIC	Poliéster AT 1100 dtex Polyester high tenacity	
RECUBRIMIENTO COATING	PVC 2 CARAS PVC COATING 2 FACES	
PESO WEIGHT	830 g/m ²	EN ISO 2286.2
ACABADO FINISH	Lacado 2 CARAS Lacquered 2 FACES	
ESPESOR THICKNESS	0,64 mm	
RESISTENCIA TRACCIÓN TENSILE STRENGTH URDIMBRE/WARP TRAMA/WEFT	270 daN/5cm 230 daN/5cm	UNE EN ISO 1421
RESISTENCIA DESGARRE TEAR STRENGTH URDIMBRE/WARP TRAMA/WEFT	25 daN 20 daN	EN ISO 13937.2
ADHERENCIA ADHESION	10 daN/5cm	
RESISTENCIA TEMPERATURA TEMPERATURE RESISTANCE	-30° + 70° C	
IGNIFUGO FIRE RETARDANT	M2	UNE 23.727.90
LONGITUD DE LAS PIEZAS ROLL LENGTH	50 ml	

Todos los valores pueden variar según una tolerancia de +/- 5%

Garantía 5 años de cualquier defecto imputable al tejido y que se demuestre que el mantenimiento ha sido el cor
Nota: los valores y tolerancias de este documento corresponden a nuestro nivel actual de conocimiento, experier
de muchas producciones y se refieren al material en su estado original.

Son orientativos y no tienen ninguna validez legal. El cliente no está exento de probar si el artículo es apropiado
aplicación. Sauleda S.A. se reserva el derecho de modificar esta ficha técnica cuando lo crea oportuno.



“Chinese Heavyweight Fabric”

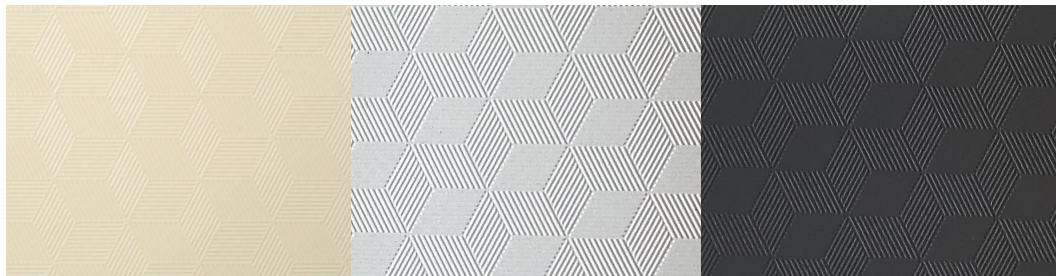
First-tier domestic brands,
preferred for cost performance

Domestic fabrics are selected from China's top brand products. The fabrics have passed the Q/HFZZ01-2019 appearance quality test and the GB/T5455-2014 flame retardant performance test. The performance and quality level are not comparable to those of imported fabrics, but they are more cost-effective.

Parameter:

Material	PVC+Polyester fibre	Thickness	0.68mm
Tensile strength	Radial direction 3312N/5cm, latitudinal direction 2898N/5cm	Fire rating	GB/T 5455-2014
Tear strength	Radial direction 325N, zonal direction 298N	Weight	850g/m ²
Color fastness	UV resistance level 4	Service life	Ten year warranty

Available colors::



Beige

White

Black



检验报告

报告编号:	HF2022-0239	检验日期:	2022.6.22	
产品名称	PVC涂层布	型号规格	1000*1000 23*23 850g 门幅 3米	
样品来源	3D遮光布	颜色	白色	
检验依据	GB/T 4669-2008、GB/T 3820-1997、GB/T1040.3-2006、DIN53363、DIN53357等			
检验项目	单位面积质量、厚度、拉伸负荷、撕裂负荷、剥离负荷、阻燃性			
检验结论	根据标准DIN EN ISO2286-2等对样品进行检验, 检测结果见下表。			
检验项目	方法标准	标准参考数据	测试结果	
外观质量	Q/HFZZ 01-2019	/	符合	
单位面积质量(g/m2)	GB/T 4669-2008	850±20	856	
幅宽偏差(cm)	GB/T 4666-2009	0-0.3	0.2	
厚度(mm)	GB/T 3820-1997	0.65±0.05	0.67	
拉伸负荷(N/5CM)	经向	GB/T1040.3-2006	≥2900	3312
	纬向		≥2650	2898
断裂伸长率(%)	经向	DIN 53354	/	25.3
	纬向		/	30.4
撕裂负荷(N)	经向	DIN 53363	≥300	325
	纬向		≥280	298
剥离负荷(N/5CM)	经向高频正反面	DIN 53357	≥90	104
透光率(%)	X-rite 341G仪器	/	0.0	
阻燃性	GB/T 5455-2014	B1	符合	
贴样				
白色				
结论	合格			

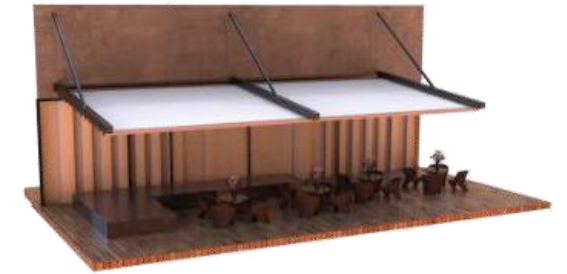
Installation Method



Column supported (single group)



Column support type (double assembly)



Pitman type



Wall support type (single group)



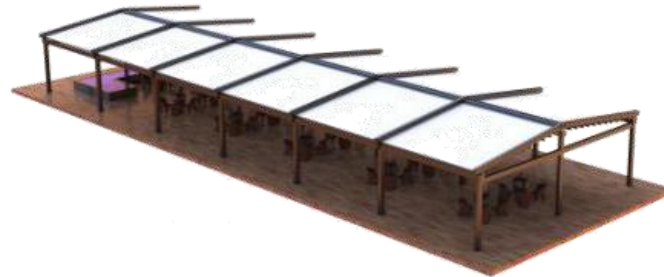
Wall support type (double combination)



Card wall type



Herringbone column support type



Multiple assembly of herringbone column

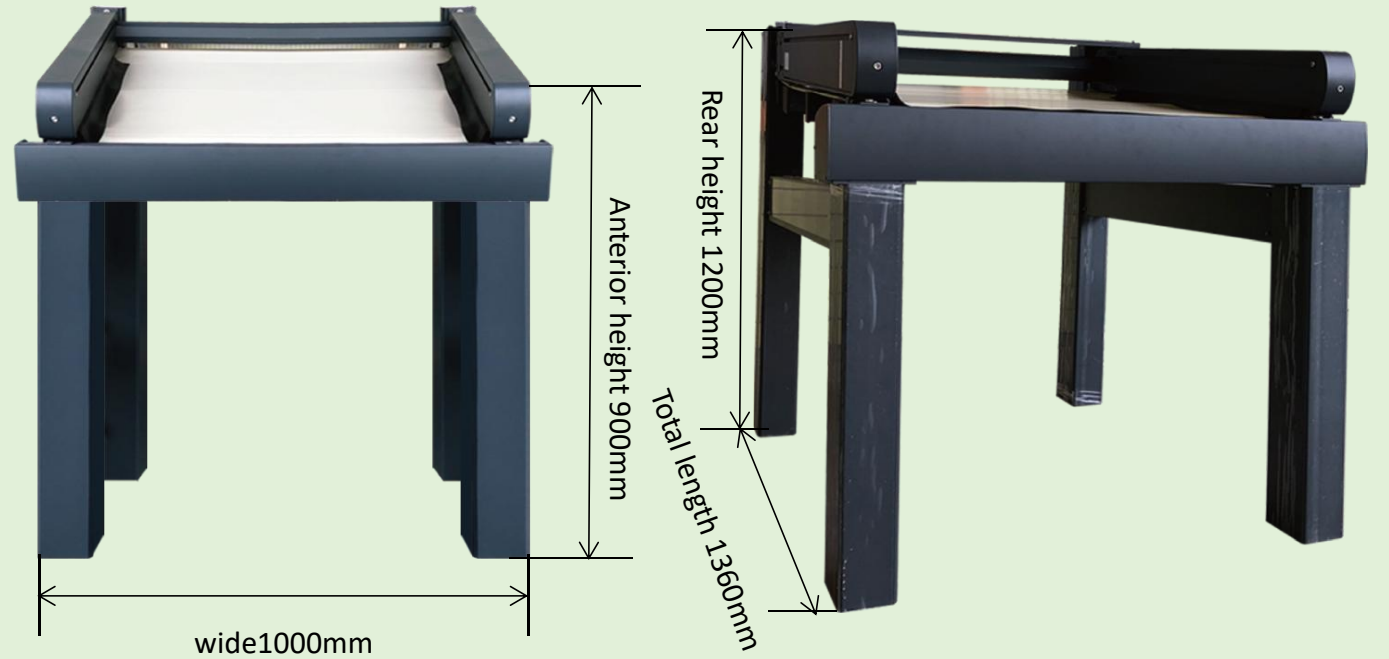


Steel structure support hoisting

Auxiliary sales tools

Proportional sample

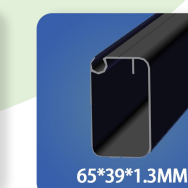
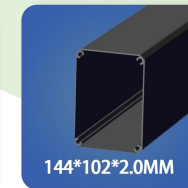
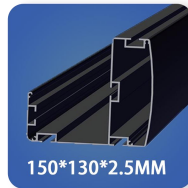
- Small floor area, about 1 m²
- Full function, including motor, light belt, remote control
- Full visual display for easy explanation
- Convenient assembly and cost saving
- Increase transaction rate



Auxiliary sales tools

Profile suitcase

- Stylish and simple, high-end business suitcase packaging
- Segment display of main profile components included
- Real materials can be seen
- Necessary for expanding customers and negotiating orders when going out
- Dimensions: 29 W x 26 L x 7.7 H cm
- Weight: 1.6kg





Inclined pull rod hoisting type

Lifting without columns, does not occupy ground space

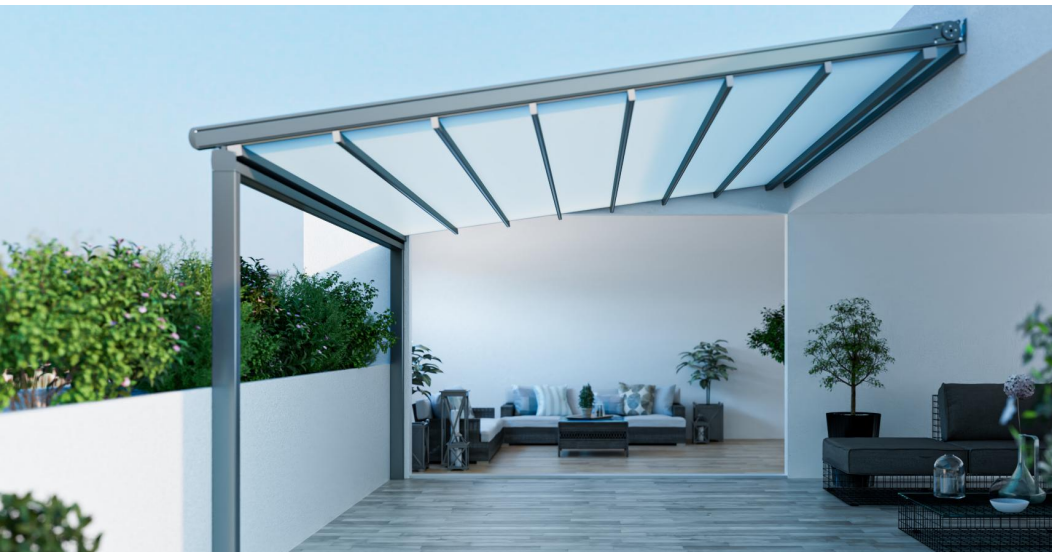
Do not damage the original landscape design

Adjustable inclination



Wall support type

Double columns supported against the wall, extending continuously in space
Suitable for high-rise terrace, outdoor restaurant, villa courtyard





Steel structure support hoisting

Suitable for large-scale outdoor dining, outdoor activity venues, and temporary construction of venues

Space applications such as marketing exhibitions, press conferences, wedding banquets, factory building expansion, building rooms and corridors





Column supported type

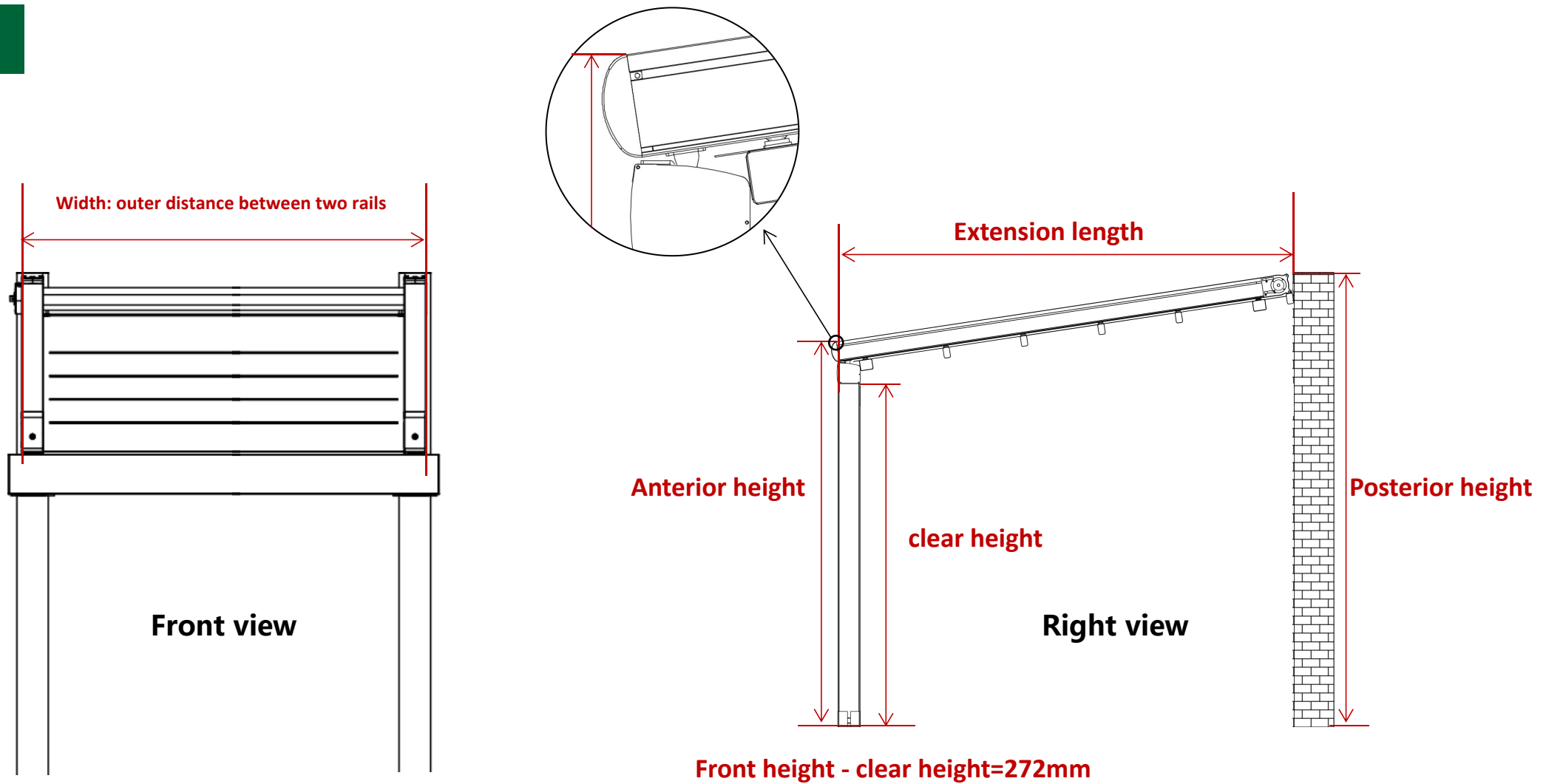
Convenient installation, stable structure, and wind proof roller shutter, aluminum shutter, sliding door window, etc. can be installed around
Suitable for villa courtyards, rooftops, terraces, outdoor swimming pools, outdoor dining, and other spaces



Purchase Instructions



Dimensions

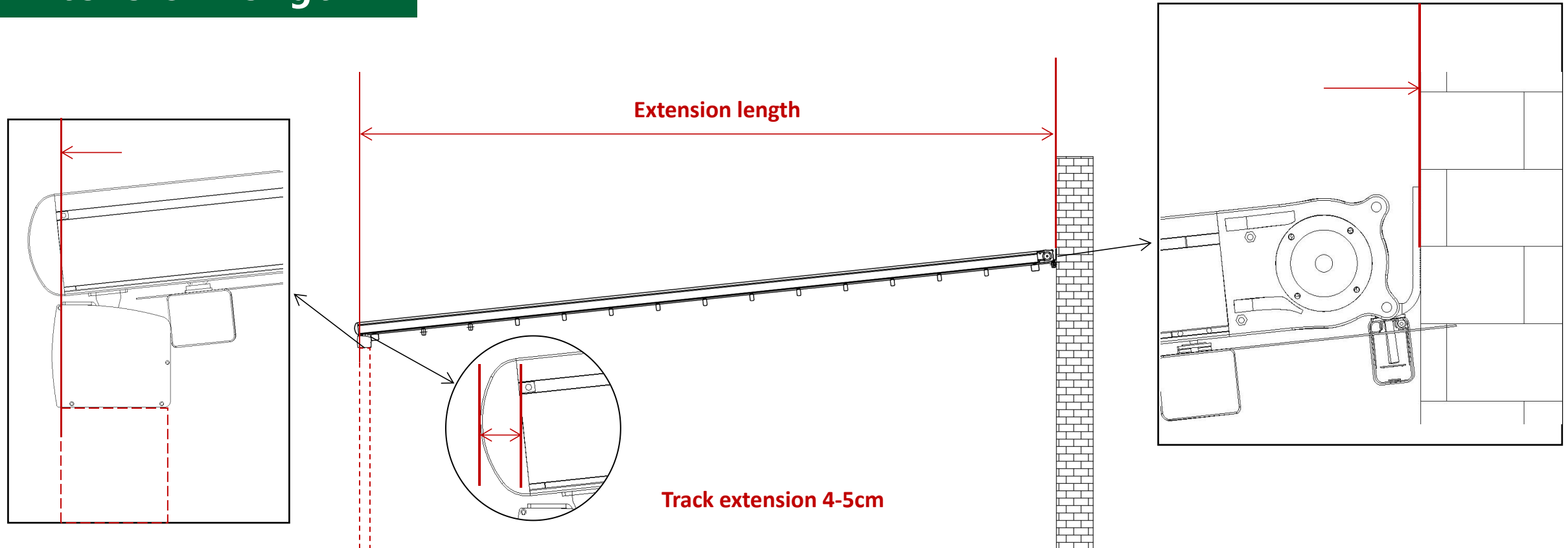


*When ordering a folding canopy, customers need to provide four key dimensions: [front height], [rear height], [width], [protruding length], and [clear height]

*"Front height" refers to the distance from the base to the top of the rail, and "Rear height" refers to the distance from the base to the top; [Clear height] is the height of the front column

*[Extension Length] is the plane distance from the wall code to the front column, not the track length.

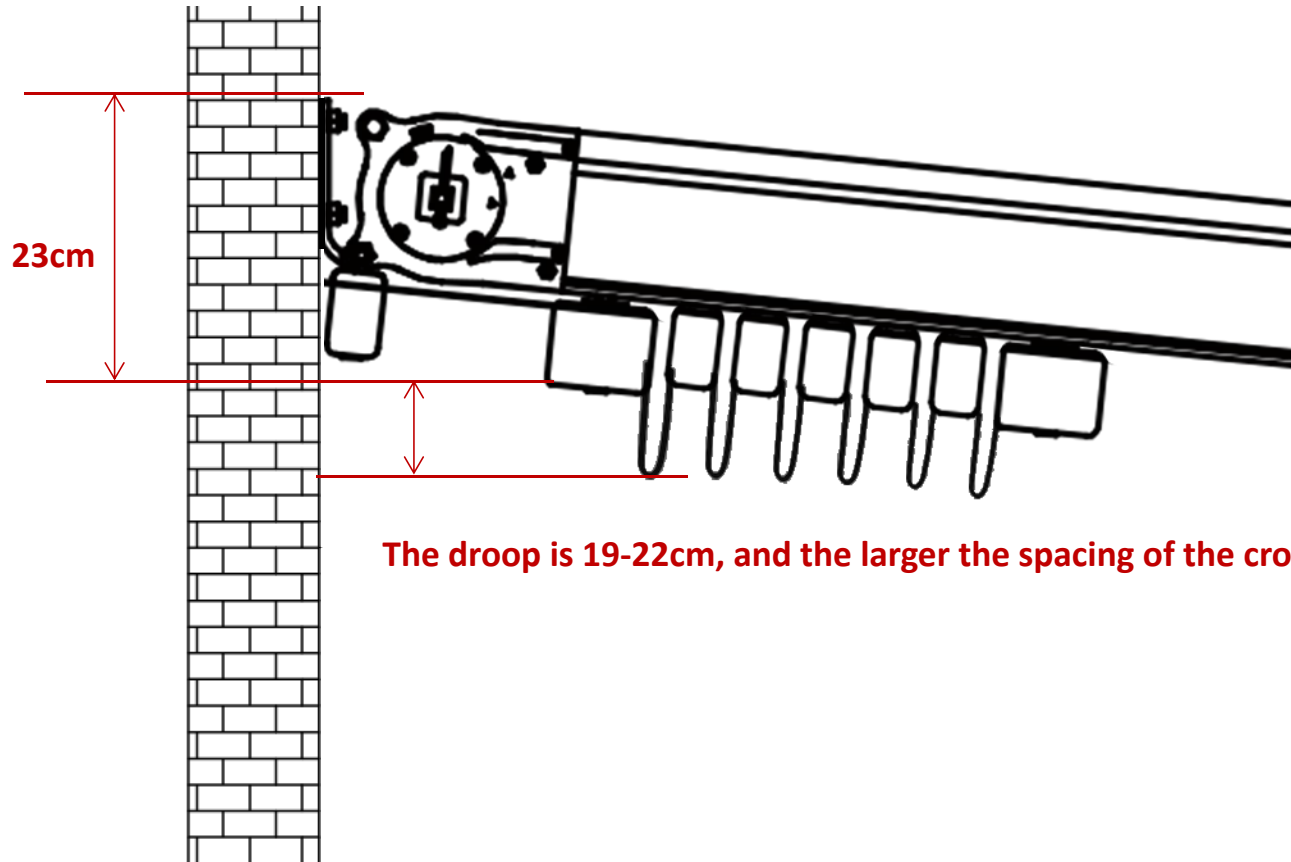
Extension length



*The protruding length of the ceiling without column support is the distance from the wall yard to the front column. If there is no front column, it is also designed to be at the position of the theoretical column. It is also important to note that the track will expand by 4-5 cm;

*The extended length \neq the complete length of the canopy. The actual length of the canopy is 4-5cm longer than the extended length. Attention should be paid when measuring the installation position dimensions!

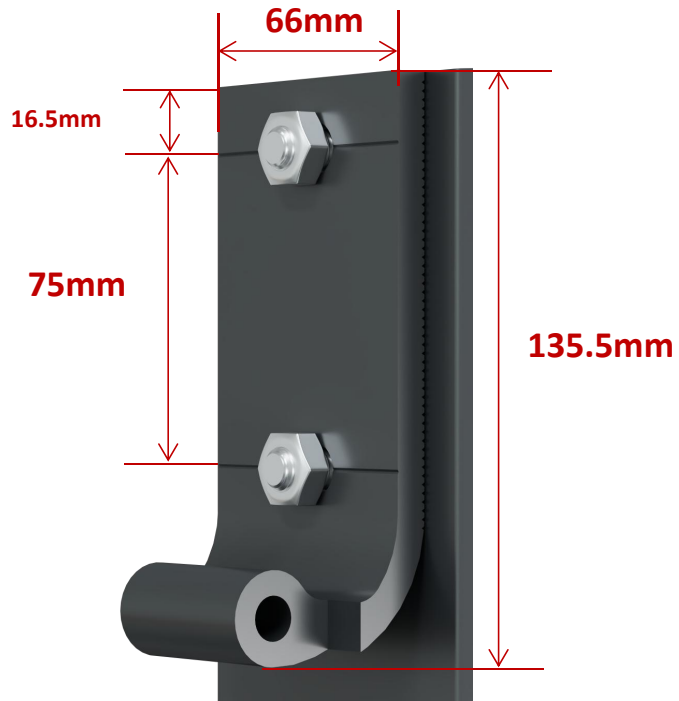
The drape length of the curtain when retracting



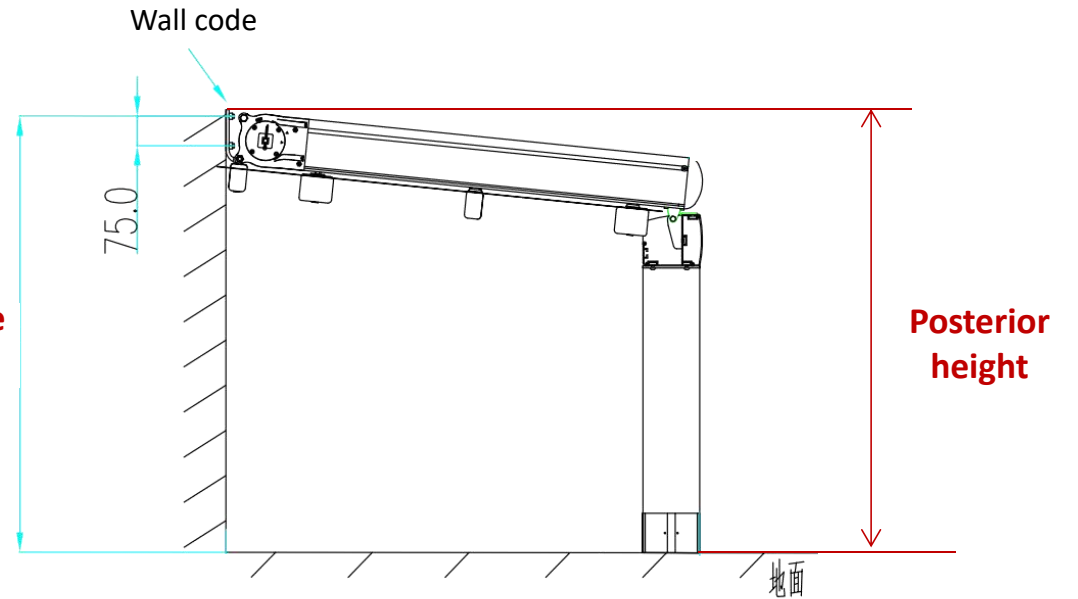
The droop is 19-22cm, and the larger the spacing of the cross bars, the longer the droop

When the pergola is retracted, the curtain will naturally sag by 19-22cm in length. During installation, it is important to reserve a position for the curtain to sag under the crossbar. The installation height can be appropriately raised to prevent the curtain from blocking the opening of the door after the canopy is retracted, If there are no doors or windows below the canopy, they can be ignored.

Wall code size and calculation



Distance from the center of the hole on the wall code to the ground

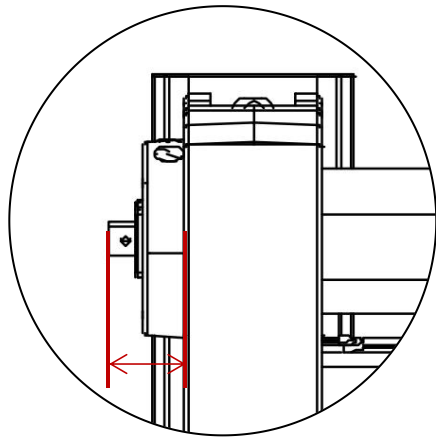


Distance from the hole on the wall code to the ground=rear height - 16.5)

Unit: mm

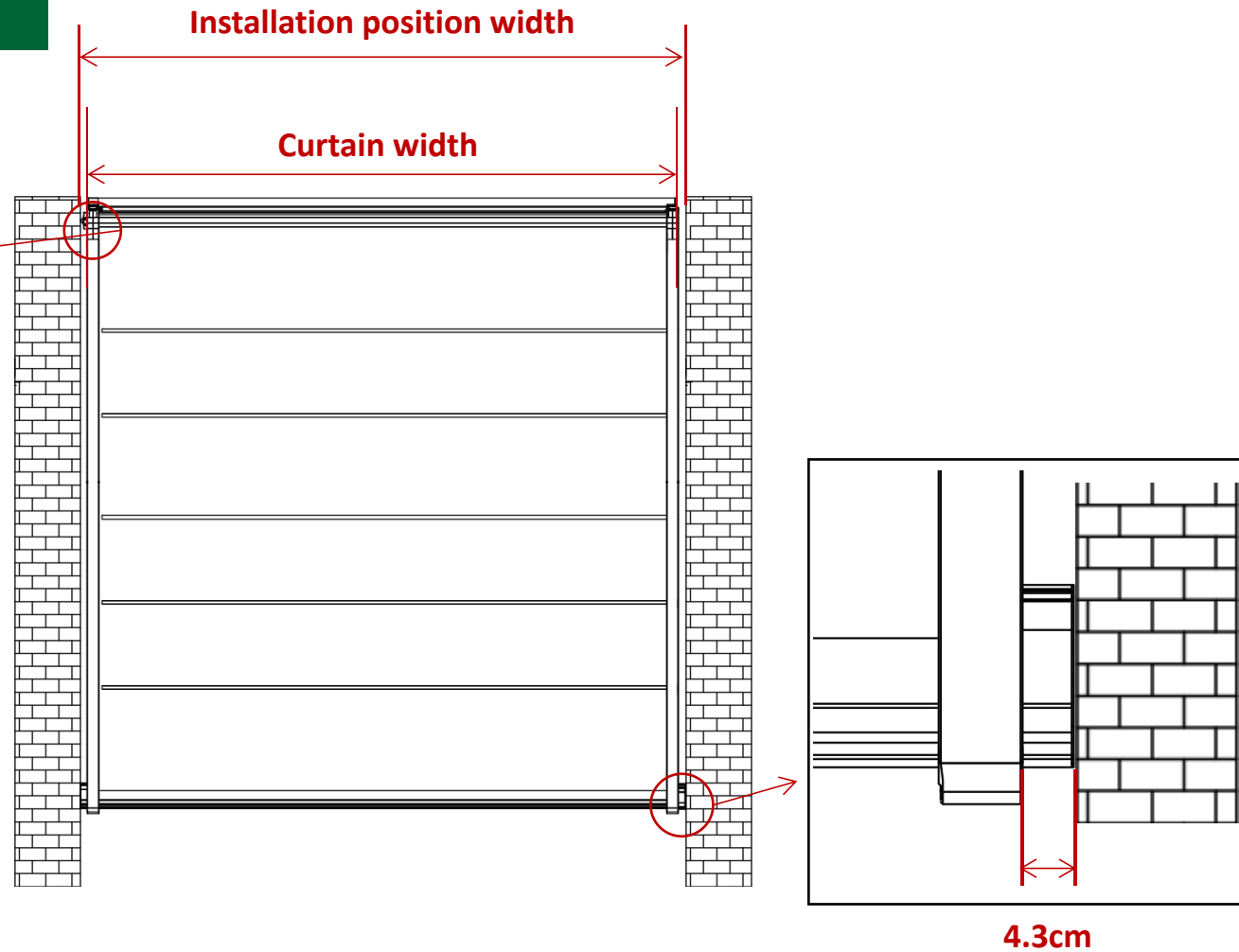
When installing a wall support ceiling, it is necessary to measure, locate, and calculate the location of the wall code.

Minimum mounting position



3.8cm

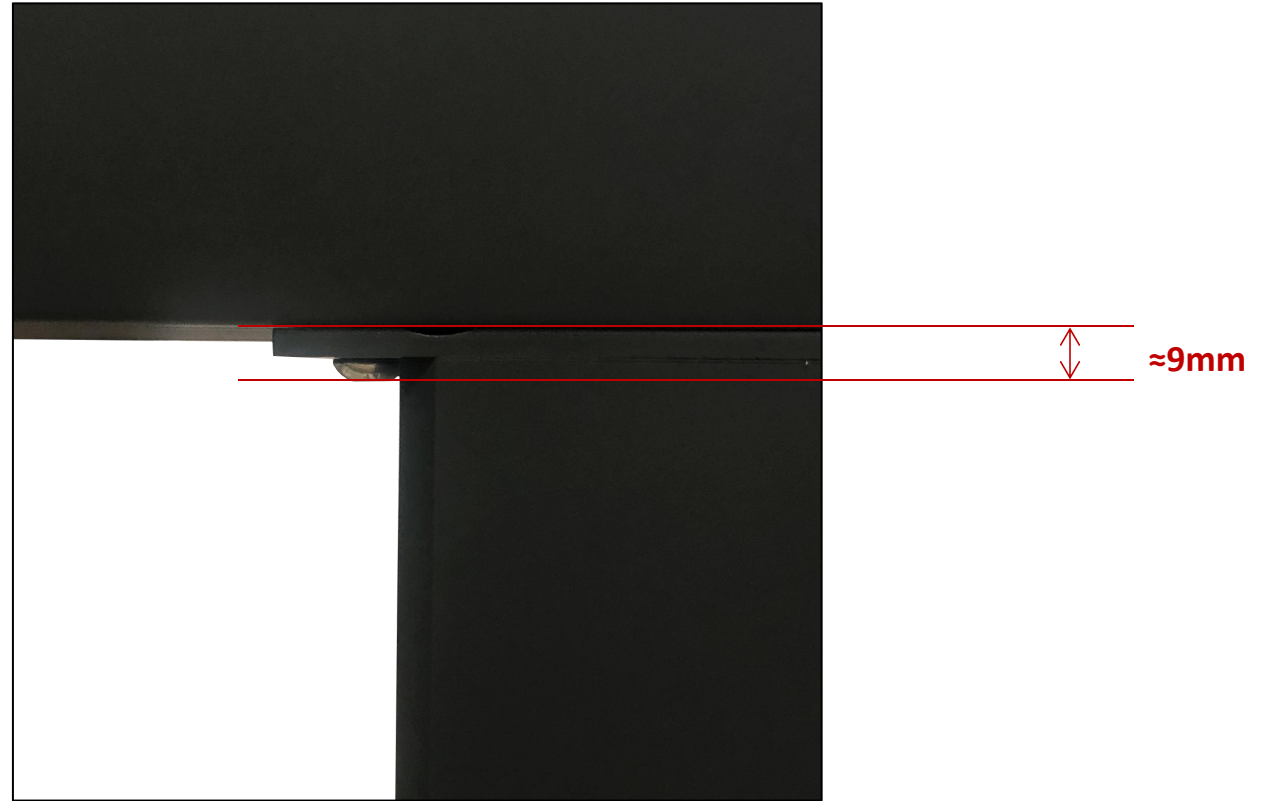
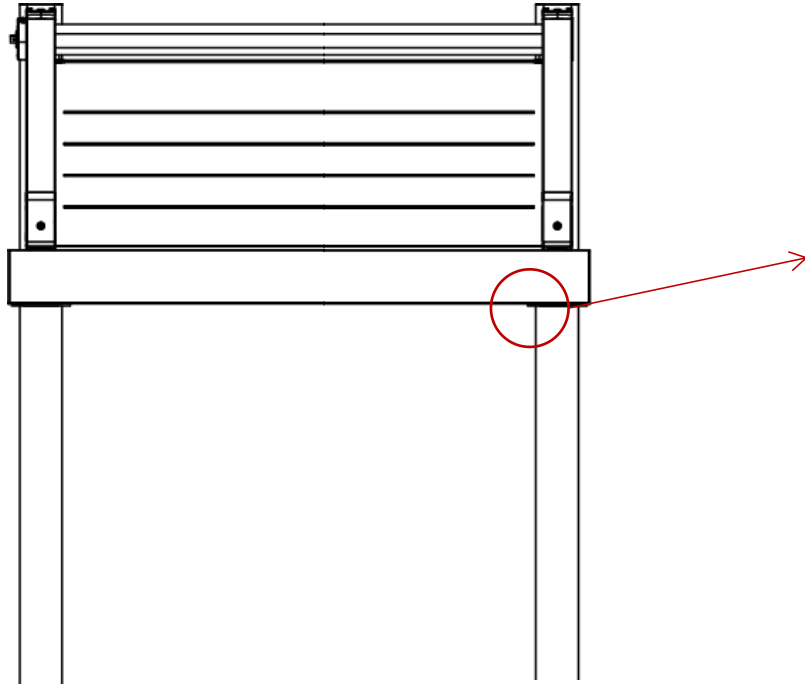
If there is no water tank, a minimum of 4 cm should be reserved at the motor end



4.3cm

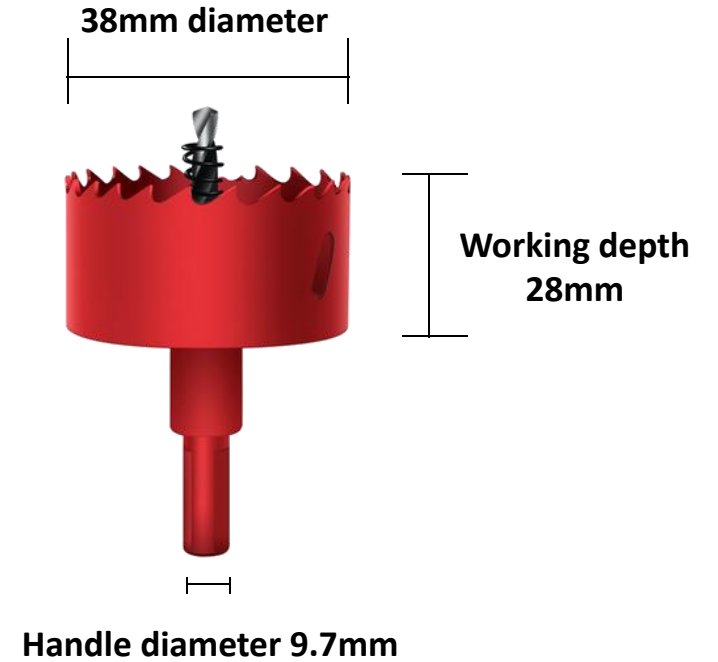
Due to the fact that the gutter of the canopy is about 9cm wider than the total width of the canopy, it is important to note that when measuring the installation position dimensions, at least 5cm of space should be reserved on both sides when ordering and reporting the width of the canopy. For example, the width of the installation location is 3000mm, and the ceiling width reported by the customer when ordering the ceiling should be $\leq 2910\text{mm}$, or the dimensions noted are the installation location dimensions, not the ceiling dimensions.

Install windproof roller shutter



Installation plates and screws are installed on the water tank and column at the front of the ceiling. If it is necessary to install a windproof roller shutter inside the front of the ceiling, a gap of about 9mm will be left at the top of the roller shutter, which can be ignored when using a formal installation method.

Water tank opening



Due to the variety of installation methods for the canopy and the variety of customized forms, the sink does not have a unified location for opening when it leaves the factory, but it will be provided with a hole drill. Customers can open holes in the sink according to their own needs.

Thanks For Watching